

FORM 2002w
APRIL, 1920

LIST
OF
PARTS



From the library of: Diamond Needle Corp

MACHINES
OF
CLASS 84-

THE SINGER MANUFACTURING COMPANY

COPYRIGHT, U. S. A., 1920, BY THE SINGER MANUFACTURING CO.
ALL RIGHTS RESERVED FOR ALL COUNTRIES

INDEX

	PAGE
ACCESSORIES	22
BOBBIN WINDER	25
CABINET TABLE TRIMMINGS	29
CLAMP TREADLE	25
IRON BASE	26
KNEE LIFTER	23
KNIVES	29
MACHINE NO. 84-1	7
" " 84-2	21
NUMERICAL LIST OF PARTS	31
OBSOLETE PARTS	30
STAND	28
STARTING TREADLE	26
TABLE BELT GUIDE	26
THREAD UNWINDER	24, 27

From the library of: Diamond Needle Corp

INSTRUCTIONS FOR ORDERING

In ordering from this list, use ONLY the part NUMBER in the FIRST column.

The number stamped on a Sewing Machine part is in every case the number of the single part only.

Every combination of parts sent out as such has its specific number, which, although not stamped on the parts, must be used when ordering the combination.

Each number always indicates the SAME PART in whatever list it appears, or for whatever machine.

The letters after some of the numbers indicate the style of finish only, as follows:

- A. Hardened, Polished and Plated
- B. Polished and Plated
- C. Hardened only.
- D. Polished only.
- E. Soft, not Polished.
- F. Hardened and Polished.
- G.
- H. Blued
- J. Plated only.
- K. Hardened and Plated.
- L. Brass or Gilt.
- M. Oxidized.
- P. Japanned.
- R. Parkerized.

These letters MUST BE USED when they appear in the list, and AFTER the number as in the list.

In this series

- 1 to 1500 and 50001 to 51500 are Screw Numbers.
- 1501 to 1800 are Nut Numbers.
- 1801 to 2000 are Roller Numbers.
- 2001 to 50000 and 52001 and upward are numbers of Machine Parts.

The figures in the second column refer only to the plates, illustrating the parts, and are NOT TO BE USED in ordering.

Parts marked with an asterisk (*) are furnished only when repairs are made at factory.

LIST OF PARTS COMPLETE

FOR

MACHINE No. 84-1

For Foot Power

No.	Plate	Name
*43001	—	Arm with 120D, 690D and 43004
8582	5951	" Dowel Pin (2)
123E	5971	" Screw (4)
49304	5950	" Shaft (horizontal)
7253	5951	" " " Gear, 24 teeth, with 458C
2117	5951	Arm Shaft (horizontal) Gear Pin . .
458C	5951	" " " " Set Screw
49316	5981	Arm Shaft (upright)
49314	5982	" " " Bushing
7256	5951	" " " Gear, 24 teeth, with 449C
2117	5951	Arm Shaft (upright) Gear Pin
449C	5951	" " " " Set Screw
*43004	—	" Side Plate
690D	5951	" " " Screw (back)
120D	5971	" " " " (front)
43005	5950	Barring Lever (lower) with 1972 . .
1409C	5952	" " " Ball Screw Stud
1410D	5952	Barring Lever (lower) Ball Screw Stud Cap Screw
1520E	5952	Barring Lever (lower) Ball Screw Stud Nut
694D	5971	Barring Lever (lower) Hinge Screw
43006	5952	" " " Pitman with two 808D
808D	5952	Barring Lever (lower) Pitman Ad- justing Screw
1972	5971	Barring Lever (lower) Roller and Stud
43007	5950	Barring Lever (upper)
1236C	5952	" " " Adjusting Screw
1554F	5952	Barring Lever (upper) Adjusting Screw Nut

From the library of: Diamond Needle Corp

No.	Plate	Name
39541	5952	Barring Lever (upper) Adjusting Screw Nut Washer
7070	5952	Barring Lever (upper) Adjusting Screw Sleeve
1409c	5952	Barring Lever (upper) Ball Screw Stud
1410b	5952	Barring Lever (upper) Ball Screw Stud Cap Screw
802b	5971	Barring Lever (upper) Hinge Screw
*43008	—	" " " Pitman (lever end)
*43009	—	Barring Lever (upper) Pitman (block end)
193F	5952	Barring Lever (upper) Pitman Adjusting Screw
7071	5952	Barring Lever (upper) Pitman Adjusting Screw Washer
1042c	5952	Barring Lever (upper) Pitman Hinge Screw
43010	5952	Barring Lever (upper) Pitman (adjustable) complete, Nos. 43008, 43009 and two each 193F and 7071
*43011	—	Bed with three 43012
43013	5956	" Cover (back)
106b	5951	" " " Screw
43014	5951	" " " Washer (lower) ..
9521	5951	" " " " (upper) ...
43015	5956	" " (front)
106b	5951	" " " Screw
43014	5951	" " " Washer (lower) ..
9521	5951	" " " " (upper) ...
43012	5951	" Support Stud
43150	5956	Belt Shifter
39223	5951	" " Clamp
1255b	5951	" " " Screw
43016	5953	Clamp Arm (2)
624c	5953	" " Adjusting Screw (2) ..
43017	5954	" " Bracket with 223F ...
704c	5952	" " " Screw (2)
9525	5952	" " " " Washer (2)
43018	5954	" " Hinge Block
43145	5952	" " " " Pin
223F	5952	" " " " " Set Screw
1094F	5953	Clamp Arm Screw (2)
43019	5955	" Carrier
43020	5955	" " Bar
889c	5971	" " " Set Screw
43021	5953	" " Connecting Link

No.	Plate	Name
807b	5953	Clamp Carrier Connecting Link Screw (2)
43022	5955	Clamp Carrier Lever
866b	5962	" " " Hinge Screw ..
43028	5955	" " Regulating Lever with 1973
694b	5971	Clamp Carrier Regulating Lever Hinge Screw
1973	5971	Clamp Carrier Regulating Lever Roller and Stud
1236c	5952	Clamp Carrier Regulating Stud ...
1554F	5952	" " " " Nut
39541	5952	" " " " " Washer
7070	5952	Clamp Carrier Regulating Stud Sleeve
43027	5952	Clamp Carrier Regulating Stud Slide Block
43023	5955	Clamp Carrier Slide with four 889c
43024	5955	" " " Bar
889c	5971	" " " " Set Screw
43025	5951	" " " Cap
690b	5951	" " " " Screw (2)
43026	5955	" " " Lever with 1872
866b	5962	" " " " Hinge Screw
1872	5971	" " " " Roller and Stud
1236c	5952	Clamp Carrier Slide Regulating Stud
1554F	5952	" " " " " Nut
39541	5952	Clamp Carrier Slide Regulating Stud Nut Washer
7070	5952	Clamp Carrier Slide Regulating Stud Sleeve
43027	5952	Clamp Carrier Slide Regulating Stud Slide Block
43029	5953	Clamp Check, for $\frac{1}{4}$ to $\frac{3}{4}$ in. button-holes
49303	5953	Clamp Check, for $\frac{1}{4}$ to $1\frac{1}{4}$ in. button-holes
1297F	5953	Clamp Check Hinge Screw (2)
43030	5954	" Lifting Arm
191c	5953	" " " Screw (2)
43031	5955	" Plate
43032	5954	" " Cover
43033	5952	" " Guide
205F	5952	" " " Screw (2)
43034	5952	" " Packing
50137b	5952	" " Screw (3)

No.	Plate	Name
9525	5952	Clamp Plate Screw Washer (3) . . .
43035	5954	" " Support
401D	5969	" " " Screw (6)
43036	5953	" Post
1659C	5953	" Pressure Regulating Thumb Nut
43037	5953	Clamp Spring
43038	5953	" " Sleeve
646C	5953	" " " Position Screw Stud
1904	5953	Clamp Spring Sleeve Roller
43039	5953	" " " " Pin
43040	5956	Face Plate
217F	5957	" " Screw (3)
49315	5982	Feed Eccentric with two 453C
453C	5957	" " Set Screw
43042	5955	" Hand Ratchet Lever
43147	—	Feed Hand Ratchet Lever complete, Nos. 90D, 240D and 43042 to 43044
43148	5955	Feed Hand Ratchet Lever Pawl Body
43043	—	Feed Hand Ratchet Lever Pawl com- plete, Nos. 207F, 43148, 43149 and three 1049C
90D	5970	Feed Hand Ratchet Lever Pawl Hinge Screw
43149	5957	Feed Hand Ratchet Lever Pawl Point
1049C	5957	Feed Hand Ratchet Lever Pawl Point Position Screw
207F	5957	Feed Hand Ratchet Lever Pawl Point Screw
43044	5957	Feed Hand Ratchet Lever Pawl Spring
240D	5957	Feed Hand Ratchet Lever Pawl Spring Screw
1049C	5957	Feed Hand Ratchet Lever Pawl Stop Screw
43045	5957	Feed Hand Ratchet Wheel with 457C
2049	5957	" " " " Pin
457C	5957	" " " " Set Screw
49313	5981	" Regulating Lever (forked) . . .
11C	5961	" " " Hinge Screw
1411C	5957	" " Stud
1554F	5957	" " " Nut
14017	5957	" " " Washer
43047	5958	" Wheel with 43059 and two 220D

No.	Plate	Name
49309	5958	Feed Wheel with 43059 and two 220D, for buttonholes with long barred ends
49310	—	Feed Wheel with 43059 and two 220D, makes bar at one end only
49327	—	Feed Wheel with 43059 and two 220D, For making one half the regular number of barring stitches
43048	5957	Feed Wheel Bushing
1670E	5957	" " " Nut
43049	5959	" " Driving Lever
43050	5957	" " " " Block (2)
769C	5957	" " " " Ad- justing Screw
39594	5957	Feed Wheel Driving Lever Block Adjusting Screw Bracket with 769C, 595C and 39504 (2)
155D	5957	Feed Wheel Driving Lever Block Adjusting Screw Bracket Screw (4)
555	5957	Feed Wheel Driving Lever Block Adjusting Screw Clamping Screw
39504	5957	Feed Wheel Driving Lever Block Adjusting Screw Clamping Screw Washer
39598	5957	Feed Wheel Driving Lever Block Lock Spring (2)
602D	5957	Feed Wheel Driving Lever Block Lock Spring Screw (2)
43051	5957	Feed Wheel Driving Lever Block Plate (2)
217F	5957	Feed Wheel Driving Lever Block Plate Screw (2)
43052	5959	Feed Wheel Driving Lever Pitman
217F	5957	" " " " " "
		Cap Screw
5968	5959	Feed Wheel Driving Lever Pitman Cap Screw Washer
61C	5959	Feed Wheel Driving Lever Pitman Hinge Screw
43053	5959	Feed Wheel Driving Lever Washer
2254	5959	" " Retaining Clutch
39595	5959	" " " " Cap
898C	5959	" " " " "
		Screw
39504	5959	Feed Wheel Retaining Clutch Cap Screw Washer
2256	5959	Feed Wheel Retaining Clutch Spring
233D	5959	" " " " "
		Screw

No.	Plate	Name
721D	5959	Feed Wheel Retaining Clutch Spring Stop Screw
43054	5959	Feed Wheel Stud
43055	5960	" " Tripping Lever
43056	5960	" " " " Arm
641D	5960	" " " " " " Screw (2)
1412D	5960	Feed Wheel Tripping Lever Hinge Screw
43057	5960	Feed Wheel Tripping Lever Point
641D	5960	" " " " " " Screw (2)
9525	5960	Feed Wheel Tripping Lever Point Screw Washer
43058	5960	Feed Wheel Tripping Lever Spring
191c	5960	" " " " " " Screw
43059	5960	Feed Wheel Tripping Point
220D	5960	" " " " " " Screw
43060	---	Knife, $\frac{1}{4}$ inch.....
43061	---	" $\frac{1}{8}$ inch.....
43062	---	" $\frac{3}{8}$ inch.....
43063	---	" $\frac{1}{2}$ inch.....
43064	---	" $\frac{1}{2}$ inch.....
43065	---	" $\frac{3}{8}$ inch.....
43066	---	" $\frac{1}{2}$ inch.....
43067	---	" $\frac{1}{2}$ inch.....
43068	5960	" $\frac{3}{4}$ inch.....
43069	---	" $\frac{1}{2}$ inch.....
43070	---	" $\frac{1}{2}$ inch.....
43071	---	" $\frac{1}{2}$ inch.....
43072	---	" 1 inch.....
43073	---	" $1\frac{1}{2}$ inch.....
43074	---	" 1 $\frac{1}{2}$ inch.....
43075	---	" $1\frac{3}{4}$ inch.....
43076	---	" 1 $\frac{1}{2}$ inch.....
43077	5950	" Bar.....
43078	5960	" " Bracket with two 1454e
1454E	5960	" " " Clamping Screw
43079	5950	" Driving Lever.....
49312	5981	" " Cam with 448c..
2117	5951	" " " Pin
448c	5971	" " " " Set Screw..
1290c	5971	" " " Hinge Screw ..
43081	5961	" " " Latch
43082	5961	" " " " Arm with 1974 and 43083
1413c	5961	Knife Driving Lever Latch Arm Hinge Screw

No.	Plate	Name
1608c	5961	Knife Driving Lever Latch Arm Hinge Screw Nut
1974	5961	Knife Driving Lever Latch Arm Roller and Screw Stud with 1518E
1518E	5961	Knife Driving Lever Latch Arm Roller and Screw Stud Nut
43083	5961	Knife Driving Lever Latch Arm Roller and Screw Stud Stop Pin
1414D	5961	Knife Driving Lever Latch Handle
1196c	5961	" " " " Hinge Screw
1662c	5961	Knife Driving Lever Latch Hinge Screw Nut
43084	5961	Knife Driving Lever Latch Spring..
43085	5961	" " " Spring
1415c	5961	" " " " Screw
43086	5962	" " " Stop
162D	5962	" " " " Screw (2) ..
43087	5960	" Holder
173c	5960	" " Screw
191c	5960	" Screw
23390	5960	" " Washer
43088	5962	" Tripping Lever with 200c and 1340c
43089	5962	Knife Tripping Lever Latch.....
866D	5962	" " " " Hinge Screw
43090	5962	Knife Tripping Lever Latch Spring
424c	5962	" " " " " " Screw
1340c	5962	Knife Tripping Lever Position Screw
200c	5962	" " " " Set Screw.....
43091	5962	" " " Shaft
43092	5962	" " " " C r a n k with 457c
12538	5962	Knife Tripping Lever Shaft Crank Pin
457c	5962	Knife Tripping Lever Shaft Crank Set Screw
43093	5962	Knife Tripping Lever Shaft Spring
641D	5962	" " " " " " Screw
9525	5962	Knife Tripping Lever Shaft Spring Screw Washer
43094	5962	Knife Tripping Lever Stop
991c	5962	" " " " Adjusting Screw
1550H	5962	Knife Tripping Lever Stop Adjusting Screw Nut

No.	Plate	Name
175D	5962	Knife Tripping Lever Stop Screw (2)
43095	5950	Needle Bar with 904F.....
7283	5960	" " Connecting Link with 1012E.....
1012E	5960	Needle Bar Connecting Link Adjust- ing Screw.....
380C	5960	Needle Bar Connecting Link Hinge Screw.....
1520E	5960	Needle Bar Connecting Link Hinge Screw Nut.....
7284	5960	Needle Bar Connecting Stud with 453C.....
453C	5960	Needle Bar Connecting Stud Set Screw.....
43096	5956	Needle Bar Frame with two 196F....
43097	5963	" " Bell Crank with 1975, 2269 and 7577.....
1975	5963	Needle Bar Frame Bell Crank Roller and Screw Stud with 1520E and 14017.....
1520E	5963	Needle Bar Frame Bell Crank Roller and Screw Stud Nut.....
14017	5963	Needle Bar Frame Bell Crank Roller and Screw Stud Nut Washer....
7577	5963	Needle Bar Frame Bell Crank Shaft
6533	5963	" " " " " "
		Collar with 460C.....
460C	5963	Needle Bar Frame Bell Crank Shaft Collar Set Screw.....
2269	5963	Needle Bar Frame Bell Crank Shaft Pin.....
43098	5963	Needle Bar Frame Bell Crank Slide Block.....
15972	5956	Needle Bar Frame Cam and Bevel Gear (steel), 36 teeth.....
43099	5956	Needle Bar Frame Cam and Bevel Gear Cover.....
190D	5971	Needle Bar Frame Cam and Bevel Gear Cover Screw.....
15C	5971	Needle Bar Frame Cam and Bevel Gear Screw.....
7292	5951	Needle Bar Frame Driving Bevel Pinion, 18 teeth, with two 453C
453C	5957	Needle Bar Frame Driving Bevel Pinion Set Screw.....
43100	5963	Needle Bar Frame Pitman with 808D
808D	5963	" " " " Adjusting Screw.....
43101	5963	Needle Bar Frame Pitman Ball Stud (eccentric).....

No.	Plate	Name
1410D	5963	Needle Bar Frame Pitman Ball Stud Cap Screw.....
196F	5963	Needle Bar Frame Pitman Ball Stud Set Screw.....
43102	5963	Needle Bar Frame Regulator with 2269 and 43103.....
1236C	5963	Needle Bar Frame Regulator Adjust- ing Screw.....
1554F	5963	Needle Bar Frame Regulator Adjust- ing Screw Nut.....
7070	5963	Needle Bar Frame Regulator Adjust- ing Screw Sleeve.....
39541	5963	Needle Bar Frame Regulator Adjust- ing Screw Washer.....
43103	5963	Needle Bar Frame Regulator Shaft
6533	5963	" " " " " "
		Collar with 460C.....
460C	5963	Needle Bar Frame Regulator Shaft Collar Set Screw.....
2269	5963	Needle Bar Frame Regulator Shaft Pin.....
43027	5963	Needle Bar Frame Regulator Slide Block.....
1042D	5963	Needle Bar Frame Regulator Slide Block Screw.....
577C	5971	Needle Bar Frame Screw Center (lower).....
1517E	5971	Needle Bar Frame Screw Center (lower) Nut.....
673F	5971	Needle Bar Frame Screw Center (upper).....
1517D	5971	Needle Bar Frame Screw Center (upper) Nut.....
43104	5964	Needle Plate.....
1230F	5964	" " Screw (#2).....
904F	5964	" Set Screw.....
14031	5956	Oscillating Rock Shaft with 4784....
14856	5965	" " " Crank with 735C.....
2049	5965	Oscillating Rock Shaft Crank Pin
735C	5965	" " " " Set Screw.....
4784	5951	Oscillating Rock Shaft Oil Pad....
7317	5956	" Shaft.....
7318	5965	" " Crank with 735C and 1813.....
2049	5965	Oscillating Shaft Crank Pin.....
1813	5965	" " " Roller and Stud.....

No.	Plate	Name
735c	5965	Oscillating Shaft Crank Set Screw
17941	5966	Pulley (loose), 2 $\frac{1}{2}$ in. diameter
17848	5966	" " Bushing
2269	5963	" " " Position Pin ..
1202b	5971	" " " Cap Screw
43105	5966	" (tight), 2 $\frac{1}{2}$ in. diam., with 2269
2022	5951	" " Pin
43106	—	Pulleys complete, Nos. 1202b, 1206c, 17848, 17941, 43105 and 43112 ..
23500	5965	Shuttle Bobbin
15140	5965	" " Case Latch
2973	5965	" " " " Lever
2974	5962	" " " " Ful- crum Pin
2975	5965	Shuttle Bobbin Case Latch Spring..
592E	5965	" " " " Stop Screw
15141	—	Shuttle Robbin Case Hinge, Nos. 2973, 2974 and 15140
23501	5965	Shuttle Bobbin Case Position Finger
2523	5965	" " " " " "
		Rivet
23502	5965	Shuttle Bobbin Case complete, Nos. 591E, 592E, 2523, 2975, 15141, 23501 and 23680
49301	5965	Shuttle Body
591E	5965	" Tension Regulating Screw..
23680	5965	" " Spring
49302	5965	Shuttle, 1 $\frac{1}{2}$ in. diam., Nos. 23500, 23502 and 49301
43107	5965	Shuttle Driver with 462c
2049	5965	" " Pin
462c	5965	" " Set Screw
43108	5950	" Pitman with 44361, 49308 and four 187E
*44361	—	Shuttle Pitman Cap (left)
187E	5971	" " " " Screw ..
*49308	—	" " " (right)
187E	5971	" " " " Screw ..
777c	5965	" " Connecting Ball Joint Screw (2)
1519E	5965	Shuttle Pitman Connecting Ball Joint Screw Nut (2)
49311	5981	Shuttle Pitman Crank Wheel with 435c and 743c
743c	5971	Shuttle Pitman Crank Wheel Posi- tion Screw
435c	5971	Shuttle Pitman Crank Wheel Set Screw

No.	Plate	Name
14049	4018	Shuttle Race Back
2532	4018	" " " Position Pin..
2533	4018	" " " Spring
648b	4018	" " " " Screw ..
23506	—	" " Body
*39904	—	" " " 23506 with 7326 and two 662b
7326	4018	Shuttle Race Cap
662b	4018	" " " Screw
23621	4018	Shuttle Race complete, Nos. 648b, 2533, 14049, 33904 and two 2532
	145E	4018 Shuttle Race Screw (2)
43109	5958	" " Bracket
14051	5964	" " " Adjusting Slide
219F	5964	" " " " "
		Screw (2)
14026	5964	Shuttle Race Bracket Adjusting Slide Steady Pin (2)
	146b	5971 Shuttle Race Bracket Screw (3)....
43110	5966	Starting Lever
43146	5966	" " Handle
	190b	5971 " " " Screw (2)....
1262c	5967	" " Hinge Screw
1662c	5967	" " " " Nut
43111	5966	" " Rod
61c	5967	" " " Hinge Screw....
43112	5967	Stop Cam
43113	5967	" " Interlocking Rod
43114	5966	" " " " Case
43115	5966	" " " " "
		Bracket
43116	—	Stop Cam Interlocking Rod Case Bracket complete, Nos. 1204E, 1254c, 1262c, 1416b, 1508c, 1662c, 17859, 17861, 17863, 17864, 39223, 43110, 43113 to 43115, 43117, 43118, 43150 and two each 898b and 1255b
1343E	5967	Stop Cam Interlocking Rod Case Bracket Screw (2)
1204E	5967	Stop Cam Interlocking Rod Case Hinge Screw
17859	5966	Stop Cam Interlocking Rod Case Socket Joint
	898b	5967 Stop Cam Interlocking Rod Case Socket Joint Cap Screw (2)
43117	5967	Stop Cam Interlocking Rod Case Spring
17861	5967	Stop Cam Interlocking Rod Case Stop Stud

No.	Plate	Name
1254c	5967	Stop Cam Interlocking Rod Case Stop Stud Screw Bushing
1508c	5967	Stop Cam Interlocking Rod Case Stop Stud Screw Bushing Lock Nut
43118	5967	Stop Cam Interlocking Rod Case Stop Stud Spring
17863	5967	Stop Cam Interlocking Rod Spring
17864	5967	" " " " Stop
1416D	5967	" " " " "
		Screw
3012	5967	Stop Cam Pin
1206c	5967	" " Screw
43119	5966	" Lever with 43120 and two 402D
43120	5968	" " Brake (leather)
402D	5968	" " " Screw
1064D	5968	" " Hinge Screw
43121	5968	" " Spring
1417E	5968	" " " Screw Stud
43122	5968	" Rod (hand)
43123	5968	" " Head with 465c
465c	5968	" " " Set Screw
2273	5968	" " Pin
2102	5969	Tension (front of arm) Disc (2)....
1560c	5969	" " " " " Regulating Thumb Nut
43124	5969	Tension (front of arm) Releaser with 200F
200F	5969	Tension (front of arm) Releaser Set Screw
43125	5969	Tension (front of arm) Releaser Shaft
43126	5969	Tension (front of arm) Releaser Shaft Arm with 200F and 49307
43127	5969	Tension (front of arm) Releaser Shaft Arm Connection
401D	5969	Tension (front of arm) Releaser Shaft Arm Connection Screw (2)
200F	5969	Tension (front of arm) Releaser Shaft Arm Set Screw
49307	5969	Tension (front of arm) Releaser Shaft Arm Stud
43128	5969	Tension (front of arm) Releaser Shaft Bracket
164D	5969	Tension (front of arm) Releaser Shaft Bracket Screw (2)
413F	5969	Tension (front of arm) Screw Stud
13710	5969	" " " " Spring
15623	5969	" " " " Thread Guard

No.	Plate	Name
43129	5970	Tension (top of arm) Bracket with 620c
157D	5970	Tension (top of arm) Bracket Screw (2)
2102	5969	Tension (top of arm) Disc (2)
1560c	5969	" " " " " Regulating Thumb Nut
49305	5970	Tension (top of arm) Releaser with 217F, 7071 and 49306
49306	5970	Tension (top of arm) Releaser Ex- tension (adjustable)
217F	5970	Tension (top of arm) Releaser Ex- tension Screw
7071	5970	Tension (top of arm) Releaser Ex- tension Screw Washer
90D	5970	Tension (top of arm) Releaser Hinge Screw
43131	5970	Tension (top of arm) Releaser Lever
43132	5970	Tension (top of arm) Releaser Lever Connection
940F	5970	Tension (top of arm) Releaser Lever Connection Hinge Screw (2)
59D	5970	Tension (top of arm) Releaser Lever Hinge Screw
828F	5970	Tension (top of arm) Screw Stud
2103	5970	" " " " Spring
43133	5970	" " " " Thread Eye- let
10145	5970	Thread Eyelet (front of arm)
460c	5970	" " " " " Set Screw
2112	5970	Thread Retaining Disc with 2113...
2113	5970	" " " " Steady Pin
2114	5970	" " Spring
2115	5970	" " Stud
620c	5970	" " " Set Screw
2111	5970	Thread Retainer Guide complete, Nos. 2112, 2114 and 2115
7562	5966	Thread Take-up Cam (steel) with 448c
2117	5951	Thread Take-up Cam Pin
448c	5971	" " " Set Screw ..
7334	5966	" " Lever with 1822
79c	5971	" " " Hinge Screw ..

No.	Plate	Name
1822	5971	Thread Take-up Lever Roller and Stud
43134	5970	Thread Take-up Spring
7336	5970	" " " Regulator ...
4430	5970	" " " " Set screw

MACHINE No. 84-2

Makes Straight Buttonhole with Barred Ends. Cuts Buttonhole After Stitching.

The same as Machine No. 84-1 with the following exceptions:

No.	Plate	Name
49317	5982	Stop Cam Interlocking Rod Case Stop Stud Spring, in place of 13118
49318	5982	Stop Lever Spring, in place of 43121

ACCESSORIES

FOR MACHINE No. 84-1.

No.	Plate	Name
43064	—	Knife, $\frac{1}{2}$ inch
43066	—	“ $\frac{3}{8}$ inch
43068	5960	“ $\frac{1}{4}$ inch
23500	5965	Shuttle Bobbin (5)
71 x 1	—	Needles, three each, sizes 11 and 14
7545	5976	Drip Pan
41564	5972	Machine Rest Pin (wood), 4 in. long
36569	5981	Oiler and Cap with 36571
36570	—	“ 36579 filled with oil
36571	5981	“ Spout, $1\frac{1}{2}$ in. long, with 36807
36807	—	“ “ Washer
*120088	—	Screw Driver Blade, for 26026
*120090	—	“ “ Handle, for 26026
26026	5972	“ “ (machine), Nos. 120088 and 120090
*120092	—	Screw Driver Blade, for 26485
*120094	—	“ “ Handle, for 26485
26485	5972	“ “ (shuttle tension), Nos. 120092 and 120094
10875	5972	Wrench, for 1517, 1519, 1520 and 1662

BOBBIN WINDER

(Swinging Automatic, Right Hand).

27914	5973	Base with 27916 and two 28084
15072	5968	Bobbin Position Pin
27916	5968	Brake (leather)
28084	5969	“ Rivet
27302	5973	Frame
32D	5971	“ Hinge Screw
27917	5968	“ Spring
27918	5973	Pulley
27538	5973	Spindle with 15072
27306	5973	Spool Pin
27307	5973	“ Stand
27308	5973	Spool Stand complete, Nos. 418D, 1562D, 2106, 10141, 11241, 27306, 27307, two each 2455 and wood screws 1 in., No. 10
11241	5973	Spool Washer (cloth)

No.	Plate	Name
27919	5973	Stop Latch
35D	5971	“ “ Hinge Screw
2455	5968	Tension Disc
1562D	5968	“ Regulating Thumb Nut
418D	5968	“ Screw Stud
10141	5968	“ Spring
2106	5968	“ Thread Guide
27923	5973	Bobbin Winder, Nos. 32D, 35D, 27302, 27538, 27914 and 27917 to 27919
41581	—	Bobbin Winder (swinging automatic, right hand) complete, Nos. 27308, 27923 and two wood screws $\frac{3}{4}$ in., No. 8

KNEE LIFTER

43140	—	Chain, length $6\frac{1}{2}$ inches
43141	5974	Rock Shaft
43142	5974	“ “ Hanger (back) with two wood screws 1 in., No. 10 ..
15200	5974	Rock Shaft Hanger (front) with two wood screws 1 in., No. 10 ..
2765	5974	Rock Shaft Knee Arm
2768	—	Rock Shaft Knee Arm complete, Nos. 2765 to 2767
2766	5974	Rock Shaft Knee Arm Hub with 356c
356c	5971	Rock Shaft Knee Arm Hub Set Screw
2767	5974	Rock Shaft Knee Plate with 356c ..
356c	5971	“ “ “ “ Set Screw
6337	5974	“ “ Lifting Bracket with two 356c
43143	5974	Rock Shaft Lifting Bracket Hook
356c	5971	“ “ “ “ “
		Set Screw
356c	5971	Rock Shaft Lifting Bracket Set Screw
2770	5974	Rock Shaft Stop Dog with 356c
356c	5971	“ “ “ “ Set Screw
43144	5974	Rock Shaft complete, Nos. 2768, 6337, 15200, 43140 to 43143 and two 2770

THREAD UNWINDER

For One Small Spool

No.	Plate	Name
27702	5975	Spool Pin
27442	5975	" Rest with 27702
27443	5975	" Weight with 27444 and 27445
27444	5968	" " Center
27445	5975	" " Thread Guide
27447	5975	Thread Eyelet Rod
27446	5975	" " Wire
27448	—	Thread Eyelet complete, Nos. 27446 and 27447
27449	5975	Thread Unwinder complete, Nos. 27442, 27443, 27448 and two wood screws $\frac{3}{4}$ in., No. 10

FOR MACHINE No. 84-2

43062	—	Knife, $\frac{3}{8}$ inch
43064	—	" " $\frac{1}{2}$ inch
43066	—	" " $\frac{5}{8}$ inch
23500	5965	Shuttle Bobbin (5)
71 x 1	—	Needles, three each, sizes 11 and 14
7545	5976	Drip Pan
41401	5980	Machine Rest Pin (wood), $5\frac{1}{2}$ in. long
36569	5981	Oiler and Cap with 36571
36570	—	" 36569 filled with oil
36571	5981	" Spout, $1\frac{3}{4}$ in. long, with 36807
36807	—	" " Washer
*120088	—	Screw Driver Blade, for 26026
*120090	—	" " Handle, for 26026
26026	5972	" " (machine), Nos. 120088 and 120090
*120092	—	Screw Driver Blade, for 26485
*120094	—	" " Handle, for 26485
26485	5972	" " (shuttle tension), Nos. 120092 and 120094
10875	5972	Wrench, for 1517, 1519, 1520 and 1662

BOBBIN WINDER

(Swinging Automatic, Right Hand)

No.	Plate	Name
27914	5973	Base with 27916 and two 28084
15072	5968	Bobbin Position Pin
27916	5968	Brake (leather)
28084	5968	" Rivet
27302	5973	Frame
32D	5971	" Hinge Screw
27917	5968	" Spring
27918	5973	Pulley
27538	5973	Spindle with 15072
27919	5973	Stop Latch
35D	5971	" " Hinge Screw
27920	5980	Tension Bracket with 452c
41336	5980	Tension Bracket complete, Nos. 5989, 10145 and 27920
452c	5979	Tension Bracket Plug Screw
2455	5968	" Disc
1562D	5968	" Regulating Thumb Nut
418D	5968	" Screw Stud
10141	5968	" Spring
10145	5970	" Thread Guide
5989	—	Tension complete, Nos. 418D, 1562D, 10141 and two 2455
27923	5973	Bobbin Winder, Nos. 32D, 35D, 27302, 27538, 27914 and 27917 to 27919
41337	—	Bobbin Winder (swinging automatic, right hand) complete, Nos. 27923, 41336, wood screw $\frac{3}{4}$ in., No. 10, R.H.B., and two wood screws $\frac{3}{4}$ in., No. 8

CLAMP TREADLE

17876	5978	Clamp Treadle with 443c
43136	—	" " Chain, $35\frac{1}{2}$ in. long, with 39575 and 39576
39575	5979	Clamp Treadle Chain Hook (lower)
39576	5979	" " " " (upper)
23551	5979	" " " Screw Eye
17881	5979	" " Shaft
443C	5970	" " " Set Screw
17882	5979	" " Spring
17883	5978	" " Stand
17884	5978	Clamp Treadle complete, Nos. 17876, 17881 to 17883 and two wood screws 1 in., No. 10

IRON BASE

No.	Plate	Name
43135	5977	Bed Frame with two 14097, four each 11118, 14010 and five wood screws 1½ in., No. 12
11118	5979	Bed Frame Cushion (leather)
14098	5968	" Hinge Connection
14008	5979	" " " Pin
14009	5979	" " Plate
14010	5979	" " " Rivet
14097	—	Bed Frame Hinge complete, Nos. 14008, 14009 and 14098

STARTING TREADLE

17943	5978	Starting Treadle with 196F
43137	—	" " Chain, 34 in. long, with 39575 and 39576
39575	5979	Starting Treadle Chain Hook (lower)
39576	5979	Starting Treadle Chain Hook (upper)
23551	5979	Starting Treadle Chain Screw Eye
43138	5978	" " Extension
196F	5963	" " " Set Screw ..
17881	5979	" " Shaft
17882	5979	" " Spring
17883	5978	" " Stand
43139	5978	Starting Treadle complete, Nos. 17881 to 17883, 17943, 43138 and two wood screws 1 in., No. 10 ..

TABLE BELT GUIDE

39218	5978	Belt Guide with two 168E
168E	5979	" " Set Screw
17892	5978	Bracket with two 153E
17893	5978	Pulley
39219	5978	" Shaft (long) with 17896
39220	5978	" " (short) with 17896
17896	5979	" " Plug
153E	5979	" " Set Screw
39221	—	Table Belt Guide complete, Nos. 17892, 39219, 39220, two each 17893, 39218 and three wood screws 1½ in., No. 12

THREAD UNWINDER

For Two Large Spools or Two Large Cones of Thread.

No.	Plate	Name
27623	2837	Spool Pin
155c	5979	" " Set Screw
41530	2837	" Rest
41531	—	" " 41530 with 1149c, two each 155c and 27623
1149c	5979	Spool Rest Set Screw
27940	2837	" Stand with 453c
41514	2837	" Weight, 4 in. diam, with 41515
41515	5979	" " Center Pin
27739	2837	Thread Cone (wood)
41566	2837	" Guard with two 41569
41569	5979	" " Eyelet
41437	2837	" " Rod, 30 in. long, with 735c
453c	5957	Thread Guard Rod Set Screw
735c	5965	" " Set Screw
41533	2837	Thread Unwinder complete, Nos. 27940, 41437, 41531, 41566, two each 27739, 41514 and three wood screws 1 in., No. 12

STAND

Rocking Treadle, Ball Bearing Pitman

FOR MACHINE No. 84-1

No.	Plate	Name
46532	5976	Band Wheel, 18 in. diam., with 972c
46519	5976	" " Crank
46520	---	Band Wheel Crank and Pitman (ball bearing) complete, Nos. 1520c, 1670c, 25361, 25371, 46506 to 46509, 46519, 46523 and eleven 25362
296c	3826	Band Wheel Crank Screw Center
1507c	3826	" " " " " " " " Nut
972c	3826	Band Wheel Set Screw
25020	---	Belt, size $\frac{1}{2}$ in., length $72\frac{1}{2}$ in., with 25127
25127	3826	Belt Hook
46533	5976	Brace with 296c, two 297c and three 1507c
748E	3826	Brace Screw
46522	5976	Leg
25362	3826	Pitman Ball, size $\frac{3}{8}$ inch
46506	3826	" " Bearing Adjusting Screw Ring
46507	3826	Pitman Ball Bearing Adjusting Screw Ring Locking Washer (brass)
46508	3826	Pitman Ball Bearing Ring
46509	3826	" " Case
46523	5976	" Rod with 25360
*25360	---	" " Ball
25371	3826	" " Bushing
25361	3826	" " Screw Bearing
1670c	3826	" " " " " Nut
1520c	3826	" " Lock Nut
46524	5976	Treadle
297c	3826	" Screw Center
1507c	3826	" " " Nut
25086	5976	Wrench, for 1507 and 1670
25200	5976	" " 972
25267	---	Stand (iron work) rocking treadle, ball bearing pitman complete, Nos. 25086, 25200, 46520, 46524, 46532, 46533, two 46522 and four 748E

CABINET TABLE TRIMMINGS

FOR MACHINE No. 84-1

No.	Plate	Name
25070	5968	Machine Cushion Tack (rubber) ...
14098	5968	" Hinge Connection
2809	5968	" " " Hinge Pin ..
7261	5968	" " Plate
15661	---	Machine Hinge complete, Nos. 2809, 7261, 14098 and two wood screws $1\frac{1}{4}$ in., No. 14

KNIVES

49319	---	Knife, $\frac{3}{4}$ in., for elongated bar buttonholes
49320	5982	Knife, $1\frac{1}{8}$ in., for elongated bar buttonholes
49321	---	Knife, $\frac{7}{8}$ in., for elongated bar buttonholes
49322	---	Knife, $1\frac{1}{2}$ in., for elongated bar buttonholes
49323	---	Knife, 1 in., for elongated bar buttonholes
49324	---	Knife, $1\frac{1}{8}$ in., for elongated bar buttonholes
49325	---	Knife, $1\frac{1}{2}$ in., for elongated bar buttonholes
43060	---	Knife, $\frac{1}{2}$ inch
43061	---	" $\frac{5}{8}$ inch
43062	---	" $\frac{3}{4}$ inch
43063	---	" $\frac{7}{8}$ inch
43064	---	" $1\frac{1}{8}$ inch
43065	---	" $\frac{5}{8}$ inch
43066	---	" $\frac{3}{4}$ inch
43067	---	" $1\frac{1}{8}$ inch
43068	5960	" $\frac{3}{4}$ inch
43069	---	" $1\frac{1}{8}$ inch
43070	---	" $\frac{5}{8}$ inch
43071	---	" $1\frac{1}{8}$ inch
43072	---	" 1 inch
43073	---	" $1\frac{1}{8}$ inch
43074	---	" $1\frac{1}{4}$ inch
43075	---	" $1\frac{3}{8}$ inch
43076	---	" $1\frac{1}{2}$ inch

OBSOLETE PARTS

No.	Plate	Name
43002	5950	Arm Shaft (upright)
43003	5951	" " " Bushing
43041	5957	Feed Eccentric with two 453c
43046	5954	" Regulating Lever (forked) ...
43080	5950	Knife Driving Lever Cam with 448c

**NUMERICAL LIST OF PARTS
FOR
MACHINES OF CLASS 84-**

From the library of Diamond Needle Corp.

NUMERICAL LIST OF PARTS

No.	Plate	Name
11c	5961	Feed Regulating Lever Hinge Screw
15c	5971	Needle Bar Frame Cam and Bevel Gear Screw
32d	5971	Bobbin Winder Frame Hinge Screw, for 27923
35d	5971	Bobbin Winder Stop Latch Hinge Screw, for 27923
59d	5970	Tension (top of arm) Releaser Lever Hinge Screw
61c	5959	Feed Wheel Driving Lever Pitman Hinge Screw
61c	5967	Starting Lever Rod Hinge Screw
79c	5971	Thread Take-up Lever Hinge Screw
90d	5970	Feed Hand Ratchet Lever Pawl Hinge Screw, for 43147
90d	5970	Tension (top of arm) Releaser Hinge Screw
106d	5951	Bed Cover (back) Screw
106d	5951	" " (front) Screw
120d	5971	Arm Side Plate Screw (front), for 43001
123c	5971	Arm Screw
145c	4018	Shuttle Race Screw
146d	5971	" " Bracket Screw
153c	5979	Table Belt Guide Pulley Shaft Set Screw, for 17892
155c	5979	Thread Unwinder Spool Pin Set Screw, for 41531
157d	5970	Tension (top of arm) Bracket Screw
162d	5962	Knife Driving Lever Stop Screw ..
164d	5969	Tension (front of arm) Releaser Shaft Bracket Screw
168c	5979	Table Belt Guide Belt Guide Set Screw, for 39218
173c	5960	Knife Holder Screw
175d	5962	" Tripping Lever Stop Screw ..
185H	5957	Feed Wheel Driving Lever Block Adjusting Screw Bracket Screw
187c	5971	Shuttle Pitman Cap (left) Screw, for 43108
187c	5971	Shuttle Pitman Cap (right) Screw, for 43108
190d	5971	Needle Bar Frame Cam and Bevel Gear Cover Screw

No.	Plate	Name
190D	5971	Starting Lever Handle Screw
191c	5953	Clamp Lifting Arm Screw
191c	5960	Feed Wheel Tripping Lever Spring Screw
191c	5960	Knife Screw
193F	5952	Barring Lever (upper) Pitman Ad- justing Screw, for 43010
196F	5963	Needle Bar Frame Pitman Ball Stud Set Screw, for 43096
196F	5963	Starting Treadle Extension Set Screw, for 17943
200c	5962	Knife Tripping Lever Set Screw, for 43088
200F	5969	Tension (front of arm) Releaser Set Screw, for 43124
200F	5969	Tension (front of arm) Releaser Shaft Arm Set Screw, for 43126
205F	5952	Clamp Plate Guide Screw
207F	5957	Feed Hand Ratchet Lever Pawl Point Screw, for 43043
217F	5957	Face Plate Screw
217F	5957	Feed Wheel Driving Lever Block Plate Screw
217F	5957	Feed Wheel Driving Lever Pitman Cap Screw
217F	5970	Tension (top of arm) Releaser Ex- tension Screw, for 49305
219F	5964	Shuttle Race Bracket Adjusting Slide Screw
220D	5960	Feed Wheel Tripping Point Screw, for 43047, 49309, 49310 and 49327
223F	5952	Clamp Arm Hinge Block Pin Set Screw, for 43017
233D	5959	Feed Wheel Retaining Clutch Spring Screw
240D	5957	Feed Hand Ratchet Lever Pawl Spring Screw, for 43147
296c	3826	Band Wheel Crank Screw Center, for 46533
297c	3826	Treadle Screw Center, for 46533 . .
356c	5971	Rock Shaft Knee Arm Hub Set Screw, for 2766
356c	5971	Rock Shaft Knee Plate Set Screw, for 2767
356c	5971	Rock Shaft Lifting Bracket Hook Set Screw, for 6337
356c	5971	Rock Shaft Lifting Bracket Set Screw, for 6337

No.	Plate	Name
356c	5971	Rock Shaft Stop Dog Set Screw, for 2770
380c	5960	Needle Bar Connecting Link Hinge Screw
401D	5969	Clamp Plate Support Screw
401D	5969	Tension (front of arm) Releaser Shaft Arm Connection Screw . .
402D	5968	Stop Lever Brake Screw, for 43119
413F	5969	Tension (front of arm) Screw Stud
418D	5968	Bobbin Winder Tension Screw Stud, for 5989 and 27308
424c	5962	Knife Tripping Lever Latch Spring Screw
435c	5971	Shuttle Pitman Crank Wheel Set Screw, for 49311
443c	5970	Clamp Treadle Shaft Set Screw, for 17876
443F	5970	Thread Take-up Spring Regulator Set Screw
448c	5971	Knife Driving Lever Cam Set Screw, for 43080 and 49312
448c	5971	Thread Take-up Cam Set Screw, for 7562
449c	5951	Arm Shaft (upright) Gear Set Screw, for 7256
452c	5979	Bobbin Winder Tension Bracket Plug Screw, for 27920
453c	5957	Feed Eccentric Set Screw, for 43041 and 49315
453c	5960	Needle Bar Connecting Stud Set Screw, for 7284
453c	5957	Needle Bar Frame Driving Bevel Pinion Set Screw, for 7292
453c	5957	Thread Unwinder Thread Guard Rod Set Screw, for 27940
457c	5957	Feed Hand Ratchet Wheel Set Screw, for 43045
457c	5962	Knife Tripping Lever Shaft Crank Set Screw, for 43092
458c	5951	Arm Shaft (horizontal) Gear Set Screw, for 7253
460c	5963	Needle Bar Frame Bell Crank Shaft Collar Set Screw, for 6533
460c	5963	Needle Bar Frame Regulator Shaft Collar Set Screw, for 6533
460c	5970	Thread Eyelet (front of arm) Set Screw
462c	5965	Shuttle Driver Set Screw, for 43107
465c	5968	Stop Rod Head Set Screw, for 43123

Numerical List of Parts

No.	Plate	Name
577c	5971	Needle Bar Frame Screw Center (lower)
591f	5965	Shuttle Tension Regulating Screw, for 23502
592E	5965	Shuttle Bobbin Case Latch Stop Screw, for 23502
602D	5957	Feed Wheel Driving Lever Block Lock Spring Screw
620c	5970	Thread Retaining Stud Set Screw, for 43129
624c	5953	Clamp Arm Adjusting Screw
641D	5960	Feed Wheel Tripping Lever Arm Screw
641D	5960	Feed Wheel Tripping Lever Point Screw
641D	5962	Knife Tripping Lever Shaft Spring Screw
646c	5953	Clamp Spring Sleeve Position Screw Stud
648D	4018	Shuttle Race Back Spring Screw, for 23621
662D	4018	Shuttle Race Cap Screw, for 39904
673F	5971	Needle Bar Frame Screw Center (upper)
690D	5951	Arm Side Plate Screw (back), for 43001
690D	5951	Clamp Carrier Slide Cap Screw
694D	5971	Barring Lever (lower) Hinge Screw
694D	5971	Clamp Carrier Regulating Lever Hinge Screw
704c	5952	Clamp Arm Bracket Screw
721D	5959	Feed Wheel Retaining Clutch Spring Stop Screw
735c	5965	Oscillating Rock Shaft Crank Set Screw, for 14856
735c	5965	Oscillating Shaft Crank Set Screw, for 7318
735c	5965	Thread Unwinder Thread Guard Set Screw, for 41437
743c	5971	Shuttle Pitman Crank Wheel Position Screw, for 49311
748E	3826	Brace Screw, for 25267
769c	5957	Feed Wheel Driving Lever Block Adjusting Screw, for 39594
777c	5965	Shuttle Pitman Connecting Ball Joint Screw
802D	5971	Barring Lever (upper) Hinge Screw
807D	5953	Clamp Carrier Connecting Link Screw

Numerical List of Parts

No.	Plate	Name
808D	5952	Barring Lever (lower) Pitman Adjusting Screw, for 43006
808D	5963	Needle Bar Frame Pitman Adjusting Screw, for 43100
828F	5970	Tension (top of arm) Screw Stud
866D	5962	Clamp Carrier Lever Hinge Screw
866D	5962	" " Slide Lever Hinge Screw
866D	5962	Knife Tripping Lever Latch Hinge Screw
889c	5971	Clamp Carrier Bar Set Screw, for 43023
889c	5971	Clamp Carrier Slide Bar Set Screw, for 43023
898c	5957	Feed Wheel Driving Lever Block Adjusting Screw Clamping Screw, for 39594
898c	5959	Feed Wheel Retaining Clutch Cap Screw
898D	5967	Stop Cam Interlocking Rod Case Socket Joint Cap Screw, for 43116
904F	5964	Needle Set Screw, for 43095
940F	5970	Tension (top of arm) Releaser Lever Connection Hinge Screw
972c	3826	Band Wheel Set Screw, for 46532
991c	5962	Knife Tripping Lever Stop Adjusting Screw
1012E	5960	Needle Bar Connecting Link Adjusting Screw, for 7283
1042c	5952	Barring Lever (upper) Pitman Hinge Screw
1042c	5963	Needle Bar Frame Regulator Slide Block Screw
1049c	5957	Feed Hand Ratchet Lever Pawl Point Position Screw, for 43043
1049c	5957	Feed Hand Ratchet Lever Pawl Stop Screw, for 43043
1064D	5968	Stop Lever Hinge Screw
1094F	5953	Clamp Arm Screw
1149c	5979	Thread Unwinder Spool Rest Set Screw, for 41531
1196c	5961	Knife Driving Lever Latch Hinge Screw
1202D	5971	Pulley (loose) Cap Screw, for 43106
1204E	5967	Stop Cam Interlocking Rod Case Hinge Screw, for 43116
1206c	5967	Stop Cam Screw, for 43106
1230F	5964	Needle Plate Screw

Numerical List of Parts

No.	Plate	Name
1236c	5952	Barring Lever (upper) Adjusting Screw
1236c	5952	Clamp Carrier Regulating Stud
1236c	5952	" " Slide Regulating Stud
1236c	5963	Needle Bar Frame Regulator Adjusting Screw
1254c	5967	Stop Cam Interlocking Rod Case Stop Stud Screw Bushing, for 43116
1255D	5951	Belt Shifter Clamp Screw, for 43116
1262c	5967	Starting Lever Hinge Screw, for 43116
1290c	5971	Knife Driving Lever Hinge Screw
1297F	5953	Clamp Check Hinge Screw
1340c	5962	Knife Tripping Lever Position Screw, for 43088
1343E	5967	Stop Cam Interlocking Rod Case Bracket Screw
1409c	5952	Barring Lever (lower) Ball Screw Stud
1409c	5952	Barring Lever (upper) Ball Screw Stud
1410D	5952	Barring Lever (lower) Ball Screw Stud Cap Screw
1410D	5952	Barring Lever (upper) Ball Screw Stud Cap Screw
1410D	5963	Needle Bar Frame Pitman Ball Stud Cap Screw
1411c	5957	Feed Regulating Stud
1412D	5960	" Wheel Tripping Lever Hinge Screw
1413c	5961	Knife Driving Lever Latch Arm Hinge Screw
1414D	5961	Knife Driving Lever Latch Handle
1415c	5961	" " Spring Screw
1416D	5967	Stop Cam Interlocking Rod Stop Screw, for 43116
1417E	5968	Stop Lever Spring Screw Stud
1454E	5960	Knife Bar Bracket Clamping Screw, for 43078
1507E	3826	Band Wheel Crank Screw Center Nut, for 46533
1507E	3826	Treadle Screw Center Nut, for 46533
1508c	5967	Stop Cam Interlocking Rod Case Stop Stud Screw Bushing Lock Nut, for 43116
1517E	5971	Needle Bar Frame Screw Center (lower) Nut

Numerical List of Parts

No.	Plate	Name
1517D	5971	Needle Bar Frame Screw Center (upper) Nut
1518E	5961	Knife Driving Lever Latch Arm Roller and Screw Stud Nut, for 1974
1519E	5965	Shuttle Pitman Connecting Ball Joint Screw Nut
1520E	5952	Barring Lever (lower) Ball Screw Stud Nut
1520E	5960	Needle Bar Connecting Link Hinge Screw Nut
1520E	5963	Needle Bar Frame Bell Crank Roller and Screw Stud Nut, for 1975 ...
1520E	3826	Pitman Rod Lock Nut, for 46520..
1550H	5962	Knife Tripping Lever Stop Adjusting Screw Nut
1554E	5952	Barring Lever (upper) Adjusting Screw Nut
1554E	5952	Clamp Carrier Regulating Stud Nut
1554E	5952	" " Slide Regulating Stud Nut
1554E	5957	Feed Regulating Stud Nut
1554E	5963	Needle Bar Frame Regulator Adjusting Screw Nut
1560c	5969	Tension (front of arm) Regulating Thumb Nut
1560c	5969	Tension (top of arm) Regulating Thumb Nut
1562D	5968	Bobbin Winder Tension Regulating Thumb Nut, for 5989 and 27308
1608c	5961	Knife Driving Lever Latch Arm Hinge Screw Nut
1659c	5953	Clamp Pressure Regulating Thumb Nut
1662c	5961	Knife Driving Lever Latch Hinge Screw Nut
1662c	5967	Starting Lever Hinge Screw Nut, for 43116
1670E	5957	Feed Wheel Bushing Nut
1670E	3826	Pitman Rod Ball Screw Bearing Nut, for 46520
1813	5965	Oscillating Shaft Crank Roller and Stud, for 7318
1822	5971	Thread Take-up Lever Roller and Stud, for 7334
1872	5971	Clamp Carrier Slide Lever Roller and Stud, for 43026
1904	5953	Clamp Spring Sleeve Roller

Numerical List of Parts

No.	Plate	Name
1972	5971	Barring Lever (lower) Roller and Stud, for 43005
1973	5971	Clamp Carrier Regulating Lever Roller and Stud, for 43028
1974	5961	Knife Driving Lever Latch Arm Roller and Screw Stud with 1518c, for 43082
1975	5963	Needle Bar Frame Bell Crank Roller and Screw Stud with 1520c and 14017, for 43097
2022	5951	Pulley (tight) Pin
2049	5957	Feed Hand Ratchet Wheel Pin
2049	5965	Oscillating Rock Shaft Crank Pin
2049	5965	" Shaft Crank Pin
2049	5965	Shuttle Driver Pin
2102	5969	Tension (front of arm) Disc
2102	5969	" (top of arm) Disc
2103	5970	" " " Spring
2106	5968	Bobbin Winder Tension Thread Guide, for 27308
2111	5970	Thread Retainer Guide complete, Nos. 2112, 2114 and 2115
2112	5970	Thread Retaining Disc with 2113, for 2111
2113	5970	Thread Retaining Disc Steady Pin, for 2112
2114	5970	Thread Retaining Spring, for 2111
2115	5970	" " Stud, for 2111
2117	5951	Arm Shaft (horizontal) Gear Pin
2117	5951	" " (upright) Gear Pin
2117	5951	Knife Driving Lever Cam Pin
2117	5951	Thread Take-up Cam Pin
2254	5959	Feed Wheel Retaining Clutch
2256	5959	" " " " Spring
2269	5963	Needle Bar Frame Bell Crank Shaft Pin, for 43097
2269	5963	Needle Bar Frame Regulator Shaft Pin, for 43102
2269	5963	Pulley (loose) Bushing Position Pin, for 43105
2273	5968	Stop Rod Pin
2455	5968	Bobbin Winder Tension Disc, for 5989 and 27308
2523	5965	Shuttle Bobbin Case Position Finger Rivet, for 23502
2532	4018	Shuttle Race Back Position Pin, for 23621
2533	4018	Shuttle Race Back Spring, for 23621

Numerical List of Parts

Nos. 2765 to 2767, for 2768.

No.	Plate	Name
2765	5974	Rock Shaft Knee Arm
2766	5974	" " " " Hub with 356c
2767	5974	Rock Shaft Knee Plate with 356c
2768	—	Rock Shaft Knee Arm complete, Nos. 2765 to 2767, for 43144
2770	5974	Rock Shaft Stop Dog with 356c, for 43144
2809	5968	Machine Hinge Connection Hinge Pin, for 15661
2973	5965	Shuttle Bobbin Case Latch Lever, for 15141
2974	5965	Shuttle Bobbin Case Latch Lever Fulcrum Pin, for 15141
2975	5965	Shuttle Bobbin Case Latch Spring, for 23502
3012	5967	Stop Cam Pin
4784	5951	Oscillating Rock Shaft Oil Pad, for 14031
5968	5959	Feed Wheel Driving Lever Pitman Cap Screw Washer
5989	—	Bobbin Winder Tension complete, Nos. 418b, 1562b, 10141 and two 2455, for 41336
6337	5974	Rock Shaft Lifting Bracket with two 356c, for 43144
6533	5963	Needle Bar Frame Bell Crank Shaft Collar with 460c
6533	5963	Needle Bar Frame Regulator Shaft Collar with 460c
7070	5952	Barring Lever (upper) Adjusting Screw Sleeve
7070	5952	Clamp Carrier Regulating Stud Sleeve
7070	5952	Clamp Carrier Slide Regulating Stud Sleeve
7070	5963	Needle Bar Frame Regulator Adjusting Screw Sleeve
7071	5952	Barring Lever (upper) Pitman Adjusting Screw Washer, for 43010
7071	5970	Tension (top of arm) Releaser Extension Screw Washer, for 49305
7253	5951	Arm Shaft (horizontal) Gear, 24 teeth, with 458c
7256	5951	Arm Shaft (upright) Gear, 24 teeth, with 449c
7261	5968	Machine Hinge Plate, for 15661

Numerical List of Parts

No.	Plate	Name
7283	5960	Needle Bar Connecting Link with 1012E
7284	5960	Needle Bar Connecting Stud with 453c
7292	5951	Needle Bar Frame Driving Bevel Pinion, 18 teeth, with two 453c ..
7317	5956	Oscillating Shaft
7318	5965	" " Crank with 735c and 1813
7326	4018	Shuttle Race Cap, for 39904
7334	5966	Thread Take-up Lever with 1822 ...
7336	5970	" " Spring Regulator ...
7545	5976	Drip Pan
7562	5966	Thread Take-up Cam (steel) with 448c
7577	5963	Needle Bar Frame Bell Crank Shaft, for 43097
8582	5951	Arm Dowel Pin
9521	5951	Bed Cover (back) Washer (upper)
9521	5951	" " (front) Washer (upper)
9525	5952	Clamp Arm Bracket Screw Washer
9525	5952	" Plate Screw Washer
9525	5960	Feed Wheel Tripping Lever Point Screw Washer
9525	5962	Knife Tripping Lever Shaft Spring Screw Washer
10141	5968	Bobbin Winder Tension Spring, for 5989 and 27308
10145	5970	Bobbin Winder Tension Thread Guide, for 41336
10145	5970	Thread Eyelet (front of arm)
10875	5972	Wrench, for 1517, 1519, 1520 and 1662
11118	5979	Bed Frame Cushion (leather), for 43135
11241	5973	Bobbin Winder Spool Washer (cloth), for 27308
12538	5962	Knife Tripping Lever Shaft Crank Pin
13710	5969	Tension (front of arm) Spring
14008	5979	Bed Hinge Connection Pin, for 14097
14009	5979	Bed Hinge Plate, for 14097
14010	5979	" " " Rivet, for 43135 ...
14017	5957	Feed Regulating Stud Nut Washer
14017	5963	Needle Bar Frame Bell Crank Roller and Screw Stud Nut Washer, for 1975
14026	5964	Shuttle Race Bracket Adjusting Slide Steady Pin

Numerical List of Parts

No.	Plate	Name
14031	5956	Oscillating Rock Shaft with 4784 ...
14049	4018	Shuttle Race Back, for 23621
14051	5964	" " Bracket Adjusting Slide
14097	—	Bed Frame Hinge complete, Nos. 14008, 14009 and 14098, for 43135
14098	5968	Bed Hinge Connection, for 14097 and 15661
14856	5965	Oscillating Rock Shaft Crank with 735c
15072	5968	Bobbin Winder Bobbin Position Pin, for 27538
15140	5965	Shuttle Bobbin Case Latch, for 15141
15141	—	" " " Hinge, Nos. 2973, 2974 and 15140, for 23502 ...
15200	5974	Rock Shaft Hanger (front) with two wood screws 1 in., No. 10, for 43144
15623	5969	Tension (front of arm) Thread Guard
15661	—	Machine Hinge complete, Nos. 2809, 7261, 14098 and two wood screws 1½ in., No. 14, for Machine No. 84-1
15972	5956	Needle Bar Frame Cam and Bevel Gear (steel), 36 teeth
17848	5966	Pulley (loose) Bushing, for 43106
17859	5966	Stop Cam Interlocking Rod Case Socket Joint, for 43116
17861	5967	Stop Cam Interlocking Rod Case Stop Stud, for 43116
17863	5967	Stop Cam Interlocking Rod Spring, for 43116
17864	5967	Stop Cam Interlocking Rod Stop, for 43116
17876	5978	Clamp Treadle with 443c, for 17884
17881	5979	" " Shaft, for 17884
17881	5979	Starting Treadle Shaft, for 43139 ..
17882	5979	Clamp Treadle Spring, for 17884 ...
17882	5979	Starting Treadle Spring, for 43139 ..
17883	5978	Clamp Treadle Stand, for 17884
17883	5978	Starting Treadle Stand, for 43139
17884	5978	Clamp Treadle complete, Nos. 17876, 17881 to 17883 and two wood screws 1 in., No. 10, for Machine No. 84-2
17892	5978	Table Belt Guide Bracket with two 153E, for 39221
17893	5978	Table Belt Guide Pulley, for 39221
17896	5979	" " " " Shaft Plug, for 39219 and 39220

Numerical List of Parts

No.	Plate	Name
17941	5966	Pulley (loose), 2 $\frac{3}{4}$ in diam., for 43106
17943	5978	Starting Treadle with 196F, for 43139
23390	5960	Knife Screw Washer
23500	5965	Shuttle Bobbin, for 49302
23501	5965	" " Case Position Finger, for 23502
23502	5965	Shuttle Bobbin Case complete, Nos. 591F, 592E, 2523, 2975, 15141, 23501 and 23680, for 49302
23506	---	Shuttle Race Body, for 39904
23551	5979	Clamp Treadle Chain Screw Eye, for Machine No. 84-2
23551	5979	Starting Treadle Chain Screw Eye for Machine No. 84-2
23621	4018	Shuttle Race complete, Nos. 648D, 2533, 14049, 39904 and two 2532
23680	5965	Shuttle Tension Spring, for 23502 ...
25020	---	Belt, size $\frac{3}{4}$ in., length 72 $\frac{1}{2}$ in., with 25127, for Machine No. 84-1
25070	5968	Machine Cushion Tack (rubber), for Machine No. 84-1
25086	5976	Wrench, for 1507 and 1670, for 25267
25127	3826	Belt Hook, for 25020
25200	5976	Wrench, for 972, for 25267
25267	---	Stand (iron work) rocking treadle, ball bearing pitman, complete, Nos. 25086, 25200, 46520, 46524, 46532, 46533, two 46522 and four 748E, for Machine No. 84-1
*25360	---	Pitman Rod Ball, for 46523
25361	3826	" " " Screw Bearing, for 46520
25362	3826	Pitman Ball, size $\frac{3}{8}$ in., for 46520
25371	3826	" Rod Ball Bushing, for 46520
26026	5972	Screw Driver (machine), Nos. 120088 and 120090
26485	5972	Screw Driver (shuttle tension), Nos. 120092 and 120094
27302	5973	Bobbin Winder Frame, for 27923 ...
27306	5973	" " Spool Pin, for 27308
27307	5973	" " " Stand, for 27308
27308	5973	Bobbin Winder Spool Stand complete, Nos. 418D, 1562D, 2106, 10141, 11241, 27306, 27307 two each 2455 and wood screws 1 in. No. 10, for 41581
27442	5975	Thread Unwinder Spool Rest with 27702, for 27449

Numerical List of Parts

No.	Plate	Name
27443	5975	Thread Unwinder Spool Weight with 27444 and 27445, for 27449
27444	5968	Thread Unwinder Spool Weight Center, for 27443
27445	5975	Thread Unwinder Spool Weight Thread Guide, for 27443
27446	5975	Thread Unwinder Thread Eyelet Wire, for 27448
27447	5975	Thread Unwinder Thread Eyelet Rod, for 27448
27448	---	Thread Unwinder Thread Eyelet complete, Nos. 27446 and 27447, for 27449
27449	5975	Thread Unwinder complete, for one small spool, Nos. 27442, 27443, 27448 and two wood screws $\frac{3}{8}$ in., No. 10, for Machine No. 84-1
27538	5973	Bobbin Winder Spindle with 15072, for 27923
27623	2837	Thread Unwinder Spool Pin, for 41531
27702	5975	Thread Unwinder Spool Pin, for 27442
27739	2837	Thread Unwinder Thread Cone (wood), for 41533
27914	5973	Bobbin Winder Base with 27916 and two 28084, for 27923
27916	5968	Bobbin Winder Brake (leather), for 27914
		Nos. 27917 to 27919, for 27923.
27917	5968	Bobbin Winder Frame Spring
27918	5973	" " Pulley
27919	5973	" " Stop Latch
27920	5980	" " Tension Bracket with 452c, for 41336
27923	5973	Bobbin Winder, Nos. 32D, 35D, 27302, 27538, 27914 and 27917 to 27919, for 41337 and 41581
27940	2837	Thread Unwinder Spool Stand with 453c, for 41533
28084	5968	Bobbin Winder Brake Rivet, for 27914
36569	5981	Oiler and Cap with 36571, for 36570
36570	---	" 36569 filled with oil
36571	5981	" Spout, 1 $\frac{3}{4}$ in. long, with 36807, for 36569
36807	---	Oiler Spout Washer, for 36571

Nos. 39218 to 39220, for 39221.

No.	Plate	Name
39218	5978	Table Belt Guide Belt Guide with two 168E, for 39221
39219	5978	Table Belt Guide Pulley Shaft (long) with 17896, for 39221
39220	5978	Table Belt Guide Pulley Shaft (short) with 17896, for 39221
39221	—	Table Belt Guide complete, Nos. 17892, 39219, 39220, two each 17893, 39218 and three wood screws 1½ in., No. 12, for Machine No. 84-2
39223	5951	Belt Shifter Clamp, for 43116
39504	5957	Feed Wheel Driving Lever Block Adjusting Screw Clamping Screw Washer, for 39594
39504	5959	Feed Wheel Retaining Clutch Cap Screw Washer
39541	5952	Barring Lever (upper) Adjusting Screw Nut Washer
39541	5952	Clamp Carrier Regulating Stud Nut Washer
39541	5952	Clamp Carrier Slide Regulating Stud Nut Washer
39541	5963	Needle Bar Frame Regulator Adjusting Screw Washer
39575	5979	Clamp Treadle Chain Hook (lower), for 43136
39575	5979	Starting Treadle Chain Hook (lower), for 43137
39576	5979	Clamp Treadle Chain Hook (upper), for 43136
39576	5979	Starting Treadle Chain Hook (upper), for 43137
39594	5957	Feed Wheel Driving Lever Block Adjusting Screw Bracket with 769c, 898c and 39504
39595	5959	Feed Wheel Retaining Clutch Cap
39598	5957	" " Driving Lever Block Lock Spring
*39904	—	Shuttle Race Body 23506 with 7326 and two 662D, for 23621
41336	5980	Bobbin Winder Tension Bracket complete, Nos. 5989, 10145 and 27920, for 41337

No.	Plate	Name
41337	—	Bobbin Winder (swinging automatic, right hand) complete, Nos. 27923, 41336, wood screw ¾ in., No. 10, R.H.B. and two wood screws ¾ in., No. 8, for Machine No. 84-2
41401	5980	Machine Rest Pin (wood), 5½ in. long, for Machine No. 84-2
41437	2837	Thread Unwinder Thread Guard Rod, 30 in. long, with 735c, for 41533
41514	2837	Thread Unwinder Spool Weight, 4 in. diam., with 41515, for 41533
41515	5979	Thread Unwinder Spool Weight Center Pin, for 41514
41530	2837	Thread Unwinder Spool Rest, for 41531
41531	—	Thread Unwinder Spool Rest 41530 with 1149c and two each 155c and 27623, for 41533
41533	2837	Thread Unwinder complete, for two large spools or two large cones of thread, Nos. 27940, 41437, 41531, 41566, two each 27739, 41514 and three wood screws 1 in., No. 12, for Machine No. 84-2
41564	5972	Machine Rest Pin (wood), 4 in. long, for Machine No. 84-1
41566	2837	Thread Unwinder Thread Guard with two 41569, for 41533
41569	5979	Thread Unwinder Thread Guard Eyelet, for 41566
41581	—	Bobbin Winder (swinging automatic, right hand) complete, Nos. 27308, 27923 and two wood screws ¾ in., No. 8, for Machine No. 84-1
*43001	—	Arm with 120D, 690D and 43004
43002	5950	" Shaft (upright) (obsolete)
43003	5951	" " " Bushing (obsolete)
*43004	—	Arm Side Plate, for 43001
43005	5950	Barring Lever (lower) with 1972
43006	5952	" " " Pitman with two 808D
43007	5950	Barring Lever (upper)
*43008	—	" " " Pitman (lever end), for 43010
*43009	—	Barring Lever (upper) Pitman (block end), for 43010

No.	Plate	Name
43010	5952	Barring Lever (upper) Pitman (adjustable) complete, Nos. 43008, 43009 and two each 193F and 7071
*43011	—	Bed with three 43012
43012	5951	" Support Stud, for 43011
43013	5956	" Cover (back)
43014	5951	" " " Washer (lower) ...
43014	5951	" " (front) Washer (lower) ..
43015	5956	" " "
43016	5953	Clamp Arm
43017	5954	" " Bracket with 223F
43018	5954	" " Hinge Block
43019	5955	" Carrier
43020	5955	" " Bar
43021	5953	" " Connecting Link
43022	5955	" " Lever
43023	5955	" " Slide with four 889c ...
43024	5955	" " " Bar
43025	5951	" " " Cap
43026	5955	" " " Lever with 1872
43027	5952	" " Regulating Stud Slide Block
43027	5952	Clamp Carrier Slide Regulating Stud Slide Block
43027	5963	Needle Bar Frame Regulator Slide Block
43028	5955	Clamp Carrier Regulating Lever with 1973
43029	5953	Clamp Check, for $\frac{1}{4}$ to $\frac{3}{4}$ in. button-holes
43030	5954	Clamp Lifting Arm
43031	5955	" Plate
43032	5954	" " Cover
43033	5952	" " Guide
43034	5952	" " Packing
43035	5954	" " Support
43036	5953	" Post
43037	5953	" Spring
43038	5953	" " Sleeve
43039	5953	" " " Roller Pin
43040	5956	Face Plate
43041	5957	Feed Eccentric with two 453c (obsolete)
Nos. 43042 to 43044, for 43147.		
43042	5955	Feed Hand Ratchet Lever
43043	—	Feed Hand Ratchet Lever Pawl complete, Nos. 207F, 43148, 43149 and three 1049c

No.	Plate	Name
43044	5957	Feed Hand Ratchet Lever Pawl Spring
43045	5957	Feed Hand Ratchet Wheel with 457c
43046	5954	" Regulating Lever (forked) (obsolete)
43047	5958	Feed Wheel with 43059 and two 220b
43048	5957	" " Bushing
43049	5959	" " Driving Lever
43050	5957	" " " " Block
43051	5957	" " " " " Plate
43052	5959	Feed Wheel Driving Lever Pitman
43053	5959	" " " " Washer
43054	5959	" " Stud
43055	5960	" " Tripping Lever
43056	5960	" " " " Arm ...
43057	5960	" " " " Point ..
43058	5960	" " " " Spring..
43059	5960	" " " Point, for 43047, 49309, 49310 and 49327
43060	—	Knife, $\frac{1}{4}$ inch
43061	—	" $\frac{5}{16}$ inch
43062	—	" $\frac{3}{8}$ inch
43063	—	" $\frac{7}{16}$ inch
43064	—	" $\frac{1}{2}$ inch
43065	—	" $\frac{5}{8}$ inch
43066	—	" $\frac{3}{4}$ inch
43067	—	" $\frac{7}{8}$ inch
43068	5960	" $\frac{1}{2}$ inch
43069	—	" $\frac{13}{16}$ inch
43070	—	" $\frac{3}{4}$ inch
43071	—	" $\frac{13}{16}$ inch
43072	—	" 1 inch
43073	—	" $1\frac{1}{16}$ inch
43074	—	" $1\frac{1}{8}$ inch
43075	—	" $1\frac{3}{8}$ inch
43076	—	" $1\frac{1}{2}$ inch
43077	5950	" Bar
43078	5960	" " Bracket with two 1454E
43079	5950	" Driving Lever
43080	5950	" " " Cam with 448c (obsolete)
43081	5961	Knife Driving Lever Latch
43082	5961	" " " " Arm with 1974 and 43083
43083	5961	Knife Driving Lever Latch Arm Roller and Screw Stud Stop Pin, for 43082

Numerical List of Parts

No.	Plate	Name
43084	5961	Knife Driving Lever Latch Spring
43085	5961	" " " Spring
43086	5962	" " " Stop
43087	5960	" Holder
43088	5962	" Tripping Lever with 200c and 1340c
43089	5962	Knife Tripping Lever Latch
43090	5962	" " " " Spring
43091	5962	" " " Shaft
43092	5962	" " " " Crank with 457c
43093	5962	Knife Tripping Lever Shaft Spring
43094	5962	" " " Stop
43095	5950	Needle Bar with 904F
43096	5956	" " Frame with two 196F
43097	5963	" " " Bell Crank with 1975, 2269 and 7577
43098	5963	Needle Bar Frame Bell Crank Slide Block
43099	5956	Needle Bar Frame Cam and Bevel Gear Cover
43100	5963	Needle Bar Frame Pitman with 808D
43101	5963	" " " " Ball Stud (eccentric)
43102	5963	Needle Bar Frame Regulator with 2269 and 43103
43103	5963	Needle Bar Frame Regulator Shaft, for 43102
43104	5964	Needle Plate
43105	5966	Pulley (tight), 2½ in. diam., with 2269, for 43106
43106	—	Pulleys complete, Nos. 1202D, 1206C, 17848, 17941, 43105 and 43112
43107	5965	Shuttle Driver with 462c
43108	5950	" Pitman with 44361, 49308 and four 187E
43109	5958	Shuttle Race Bracket
43110	5966	Starting Lever, for 43116
43111	5966	" " Rod
43112	5967	Stop Cam, for 43106
Nos. 43113 to 43115, for 43116.		
43113	5967	Stop Cam Interlocking Rod
43114	5966	" " " " Case
43115	5966	" " " " Bracket

Numerical List of Parts

No.	Plate	Name
43116	—	Stop Cam Interlocking Rod Case Bracket complete, Nos. 1204E, 1254c, 1262c, 1416D, 1508c, 1662c, 17859, 17861, 17863, 17864, 39223, 43110, 43113 to 43115, 43117, 43118, 43150 and two each 898D and 1255D, for Machine No. 84-1
43117	5967	Stop Cam Interlocking Rod Case Spring, for 43116
43118	5967	Stop Cam Interlocking Rod Case Stop Stud Spring, for 43116
43119	5966	Stop Lever with 43120 and two 402D
43120	5968	" " Brake (leather), for 43119
43121	5968	" " Spring, for Machine No. 84-1
43122	5968	Stop Rod (hand)
43123	5968	" " Head with 465c
43124	5969	Tension (front of arm) Releaser with 200F
43125	5969	Tension (front of arm) Releaser Shaft
43126	5969	Tension (front of arm) Releaser Shaft Arm with 200F and 49307
43127	5969	Tension (front of arm) Releaser Shaft Arm Connection
43128	5969	Tension (front of arm) Releaser Shaft Bracket
43129	5970	Tension (top of arm) Bracket with 620c
43131	5970	Tension (top of arm) Releaser Lever
43132	5970	Tension (top of arm) Releaser Lever Connection
43133	5970	Tension (top of arm) Thread Eyelet
43134	5970	Thread Take-up Spring
43135	5977	Bed Frame with two 14097, four each 11118, 14010 and five wood screws 1¼ in., No.12, for Machine No. 84-2
43136	—	Clamp Treadle Chain, 35½ in. long, with 39575 and 39576
43137	—	Starting Treadle Chain, 34 in. long, with 39575 and 39576
43138	5978	Starting Treadle Extension, for 43139
43139	5978	Starting Treadle complete, Nos. 17881 to 17883, 17943, 43138 and two wood screws 1 in., No. 10, for Machine No. 84-2

Nos. 43140 to 43143, for 43144.

No.	Plate	Name
43140	—	Chain, length 6½ inches
43141	5974	Rock Shaft
43142	5974	" " Hanger (back) with two wood screws 1 in., No. 10
43143	5974	Rock Shaft Lifting Bracket Hook
43144	5974	" " (knee lifter) complete, Nos. 2768, 6337, 15200, 43140 to 43143 and two 2770, for Machine No. 84-1
43145	5952	Clamp Arm Hinge Block Pin.....
43146	5966	Starting Lever Handle
43147	—	Feed Hand Ratchet Lever complete, Nos. 90D, 240D and 43042 to 43044
43148	5955	Feed Hand Ratchet Lever Pawl Body, for 43043
43149	5957	Feed Hand Ratchet Lever Pawl Point, for 43043
43150	5956	Belt Shifter, for 43116
*44361	—	Shuttle Pitman Cap (left), for 43108

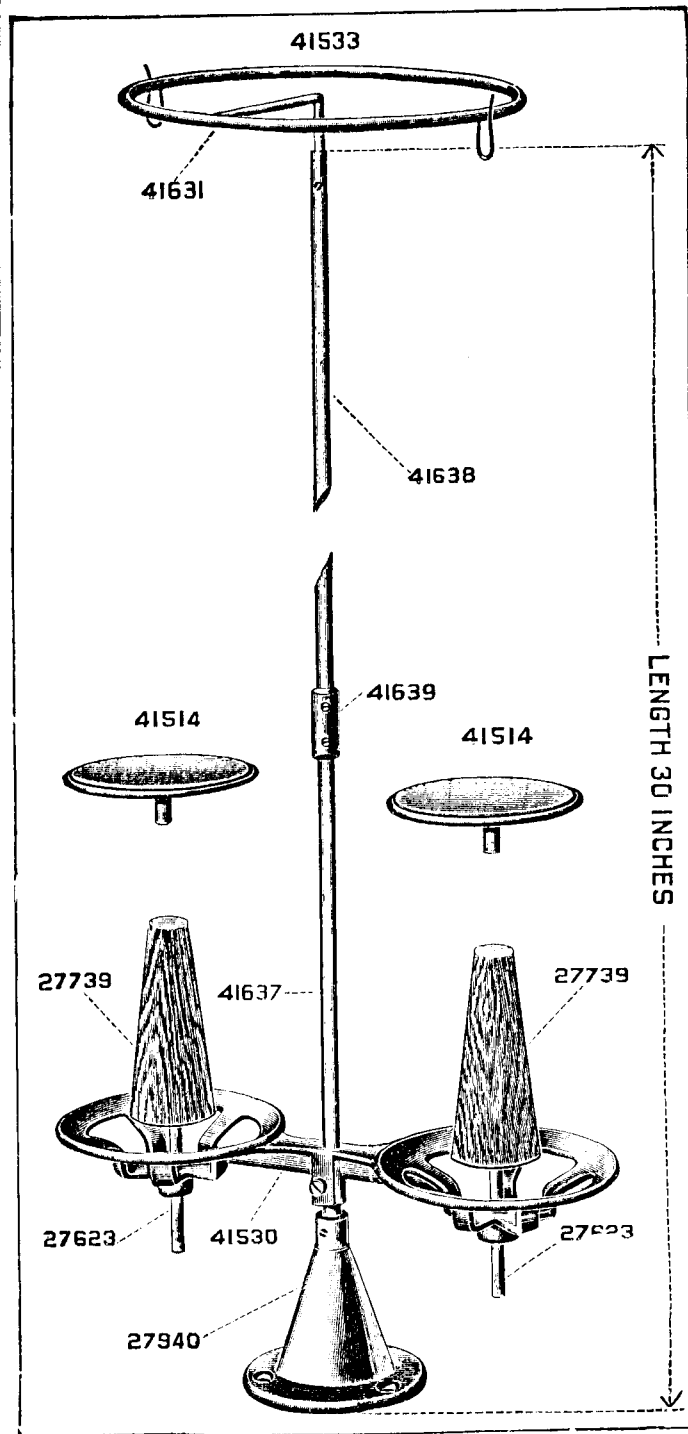
Nos. 46506 to 46509, for 46520.

46506	3826	Pitman Ball Bearing Adjusting Screw Ring
46507	3826	Pitman Ball Bearing Adjusting Screw Ring Locking Washer (brass)
46508	3826	Pitman Ball Bearing Ring
46509	3826	" " Case
46519	5976	Band Wheel Crank, for 46520
46520	—	Band Wheel Crank and Pitman (ball bearing) complete, Nos. 1520E, 1670E, 25361, 25371, 46506 to 46509, 46519, 46523 and eleven 25362, for 25267
46522	5976	Leg, for 25267
46523	5976	Pitman Rod with 25360, for 46520..
46524	5976	Treadle, for 25267
46532	5976	Band Wheel, 18 in. diam., with 972c, for 25267
46533	5976	Brace with 296c, two 297c and three 1507E, for 25267
49301	5965	Shuttle Body, for 49302
49302	5965	Shuttle, 1½ in. diam., Nos. 23500, 23502 and 49301
49303	5953	Clamp Check, for ¼ to 1¼ in. buttonholes
49304	5950	Arm Shaft (horizontal)

No.	Plate	Name
49305	5970	Tension (top of arm) Releaser with 217c, 7071 and 49306
49306	5970	Tension (top of arm) Releaser Extension (adjustable), for 49305
49307	5969	Tension (front of arm) Releaser Shaft Arm Stud, for 43126
*49308	—	Shuttle Pitman Cap (right), for 43108
49309	5958	Feed Wheel with 43059 and two 220D, for buttonholes with long barred ends
49310	—	Feed Wheel with 43059 and two 220D, makes bar at one end only
49311	5981	Shuttle Pitman Crank Wheel with 435c and 743c
49312	5981	Knife Driving Lever Cam with 448c
49313	5981	Feed Regulating Lever (forked) ...
49314	5982	Arm Shaft (upright) Bushing
49315	5982	Feed Eccentric with two 453c
49316	5981	Arm Shaft (upright)
49317	5982	Stop Cam Interlocking Rod Case Stop Stud Spring, for Machine No. 84-2
49318	5982	Stop Lever Spring, for Machine No. 84-2
49319	—	Knife, ¾ in., for elongated bar buttonholes
49320	5982	Knife, ⅞ in., for elongated bar buttonholes
49321	—	Knife, ⅞ in., for elongated bar buttonholes
49322	—	Knife, ⅞ in., for elongated bar buttonholes
49323	—	Knife, 1 in., for elongated bar buttonholes
49324	—	Knife, 1 1/16 in., for elongated bar buttonholes
49325	—	Knife, 1 1/8 in., for elongated bar buttonholes
49327	—	Feed Wheel with 43059 and two 220D. For making one half the regular number of barring stitches
50137D	5952	Clamp Plate Screw
*120088	—	Screw Driver Blade, for 26026
*120090	—	" " Handle, for 26026
*120092	—	" " Blade, for 26485
*120094	—	" " Handle, for 26485

**ILLUSTRATIONS OF PARTS
FOR
MACHINES OF CLASS 84-**

PLATE 2837—ONE-FOURTH SIZE



From the library of: Diamond Needle Corp

PLATE 3826—FULL SIZE

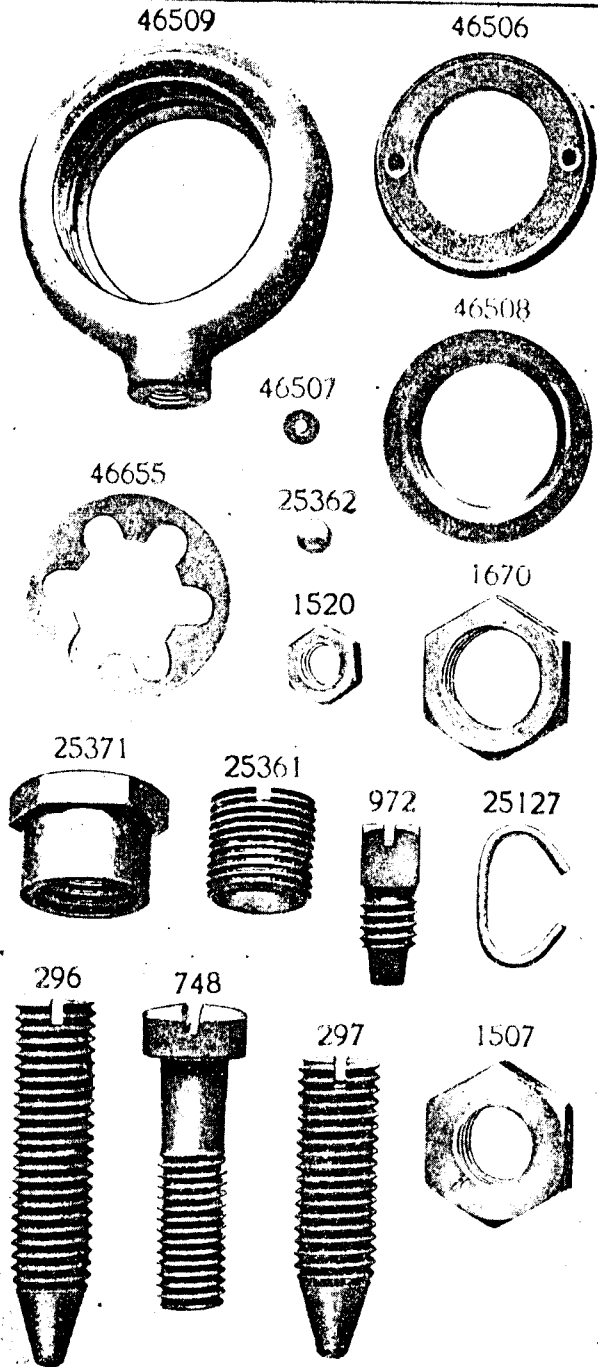
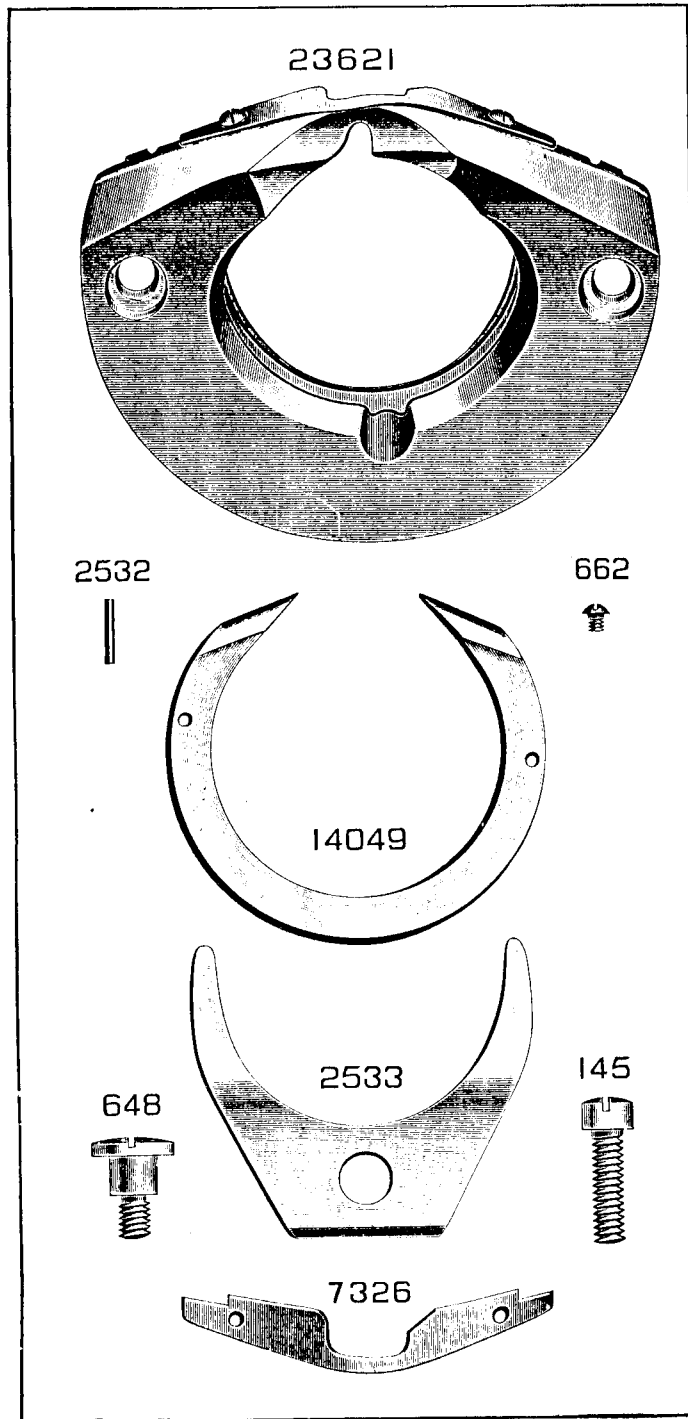


PLATE 4018—FULL SIZE



From the library of: Diamond Needle Corp

PLATE 5950—ONE-HALF SIZE

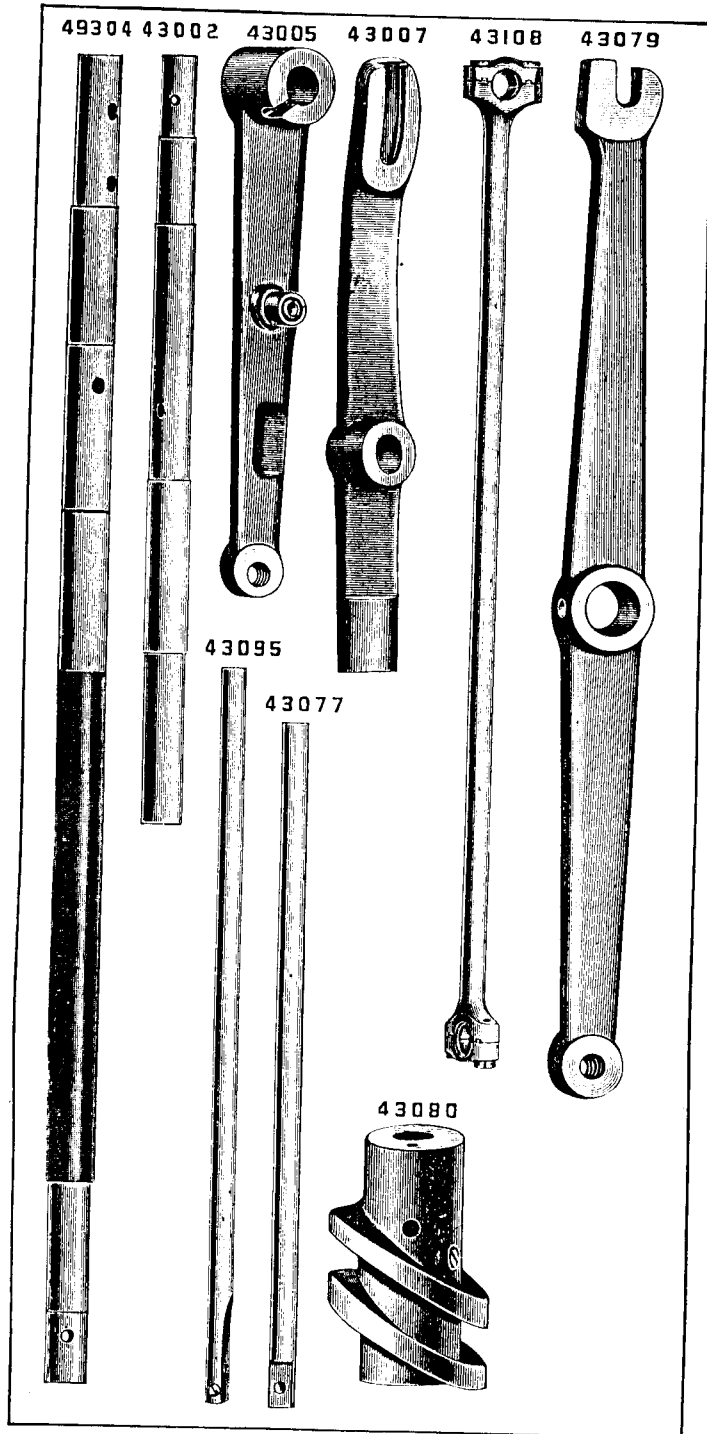
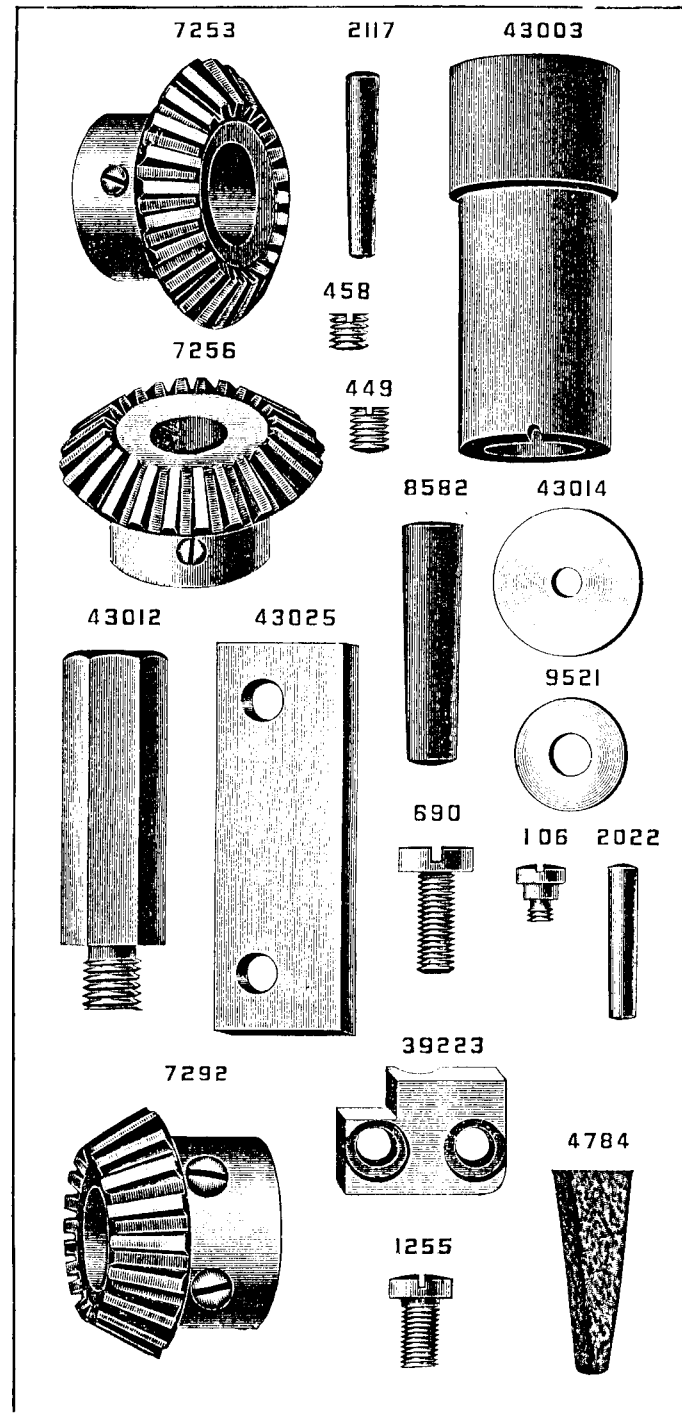


PLATE 5951—FULL SIZE



From the library of: Diamond Needle Corp

PLATE 5952—FULL SIZE

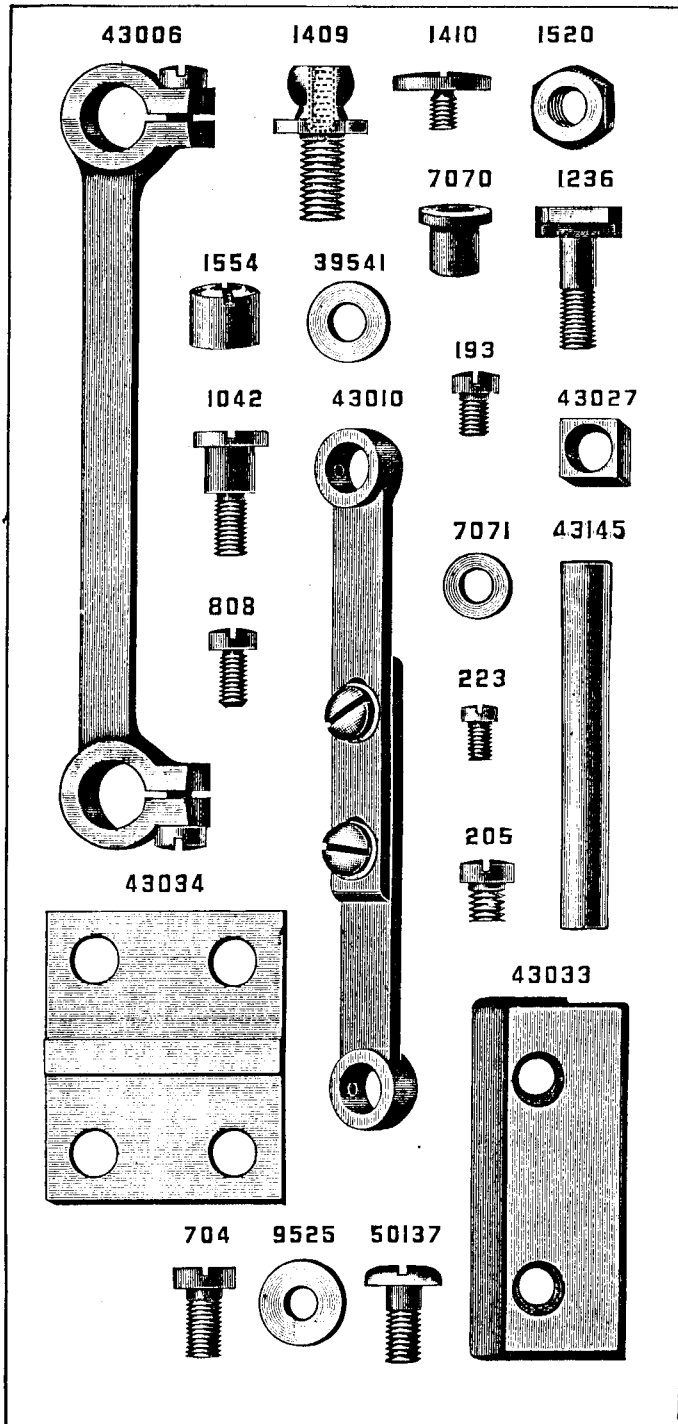
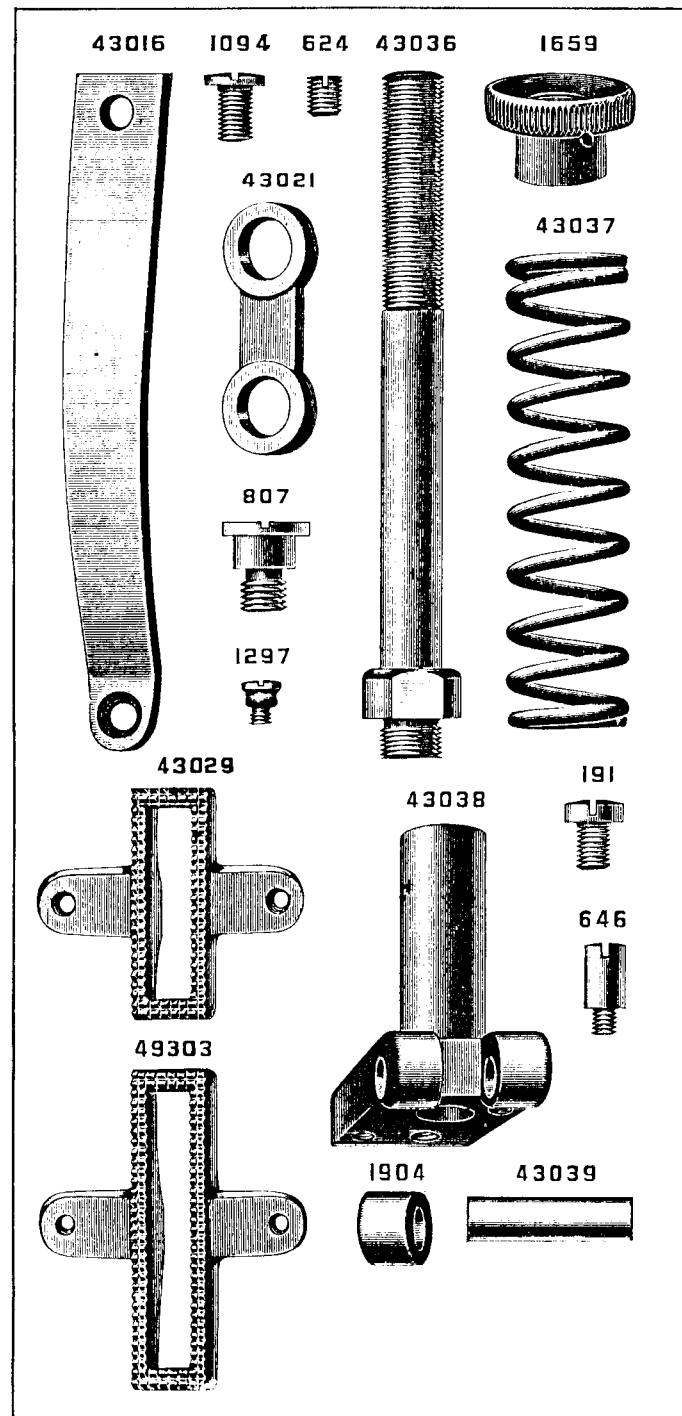


PLATE 5953—FULL SIZE



From the library of: Diamond Needle Corp

PLATE 5954—ONE-HALF SIZE

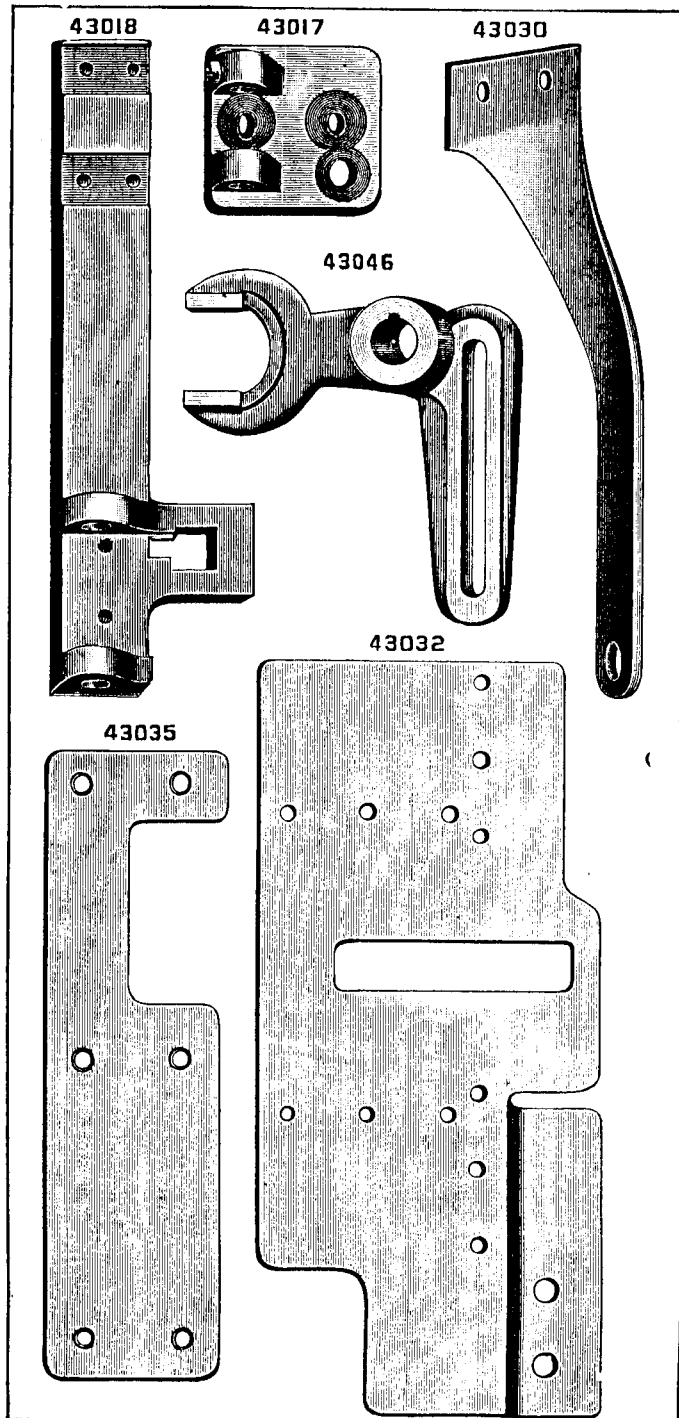


PLATE 5955—ONE-HALF SIZE

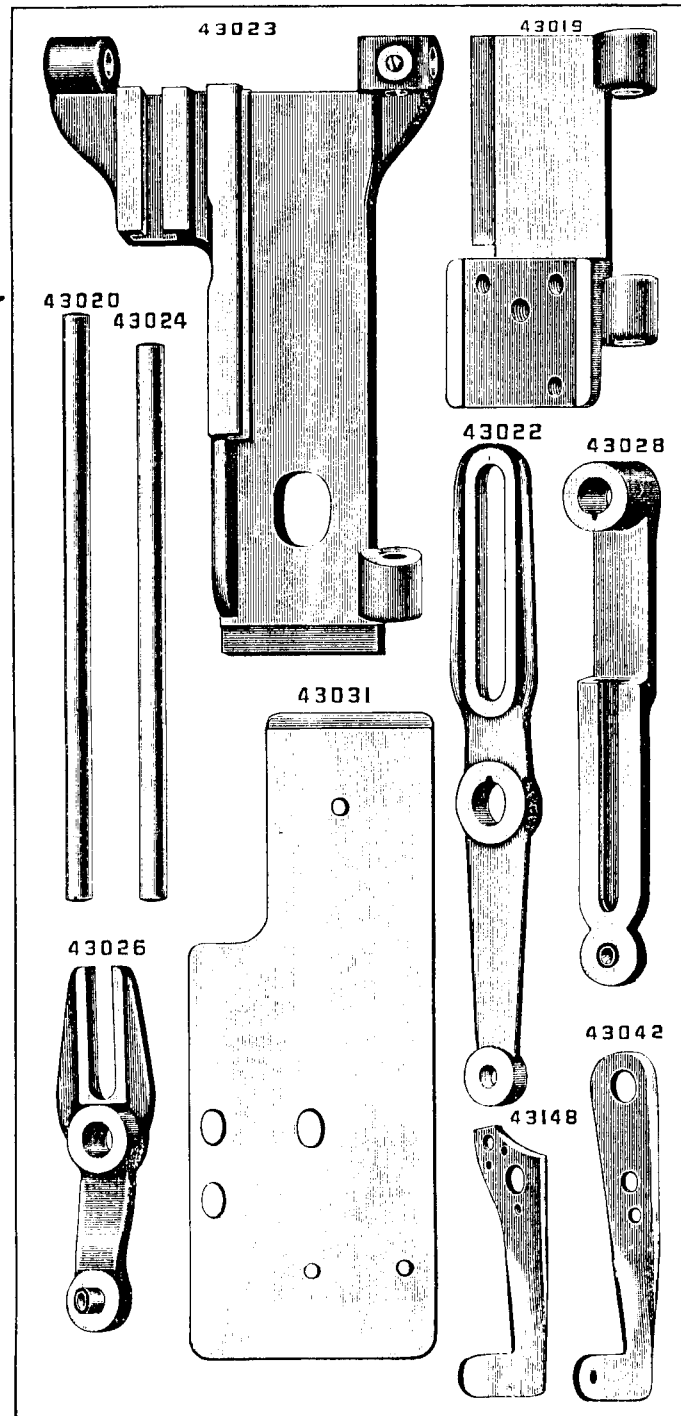


PLATE 5956—ONE-HALF SIZE

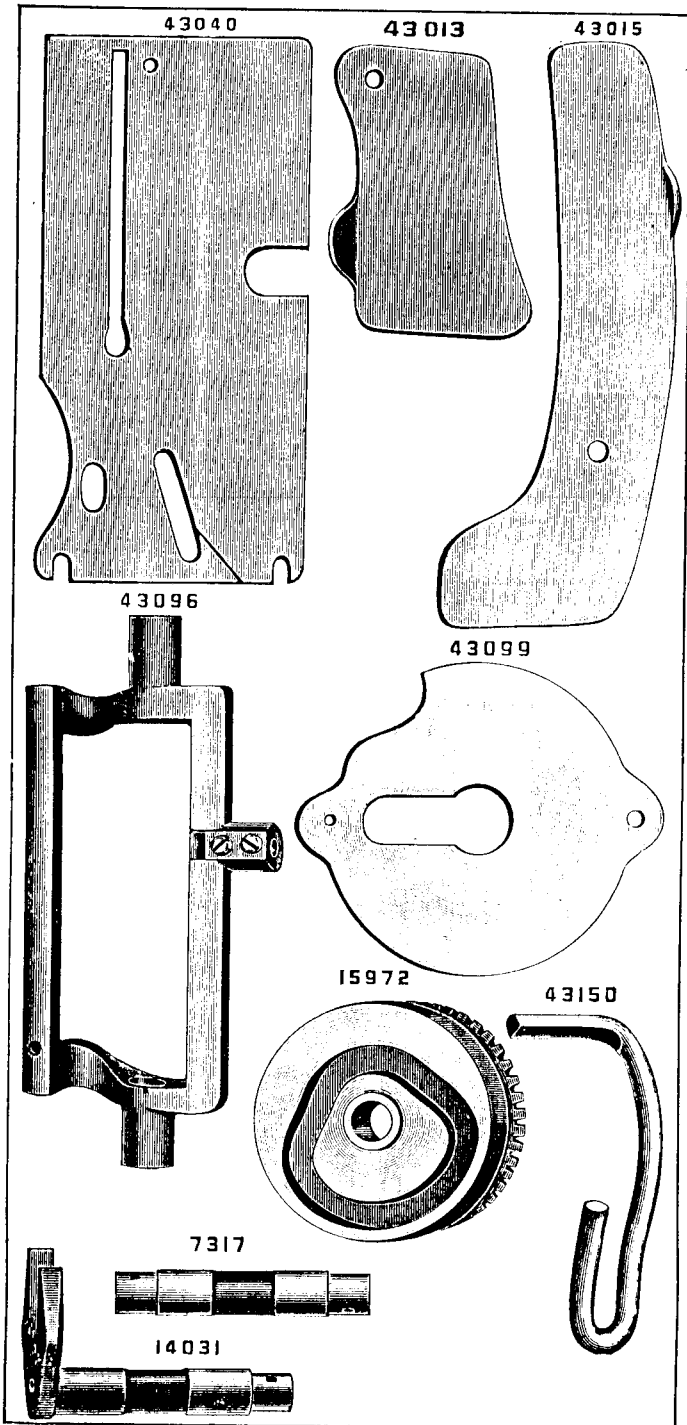


PLATE 5957—FULL SIZE

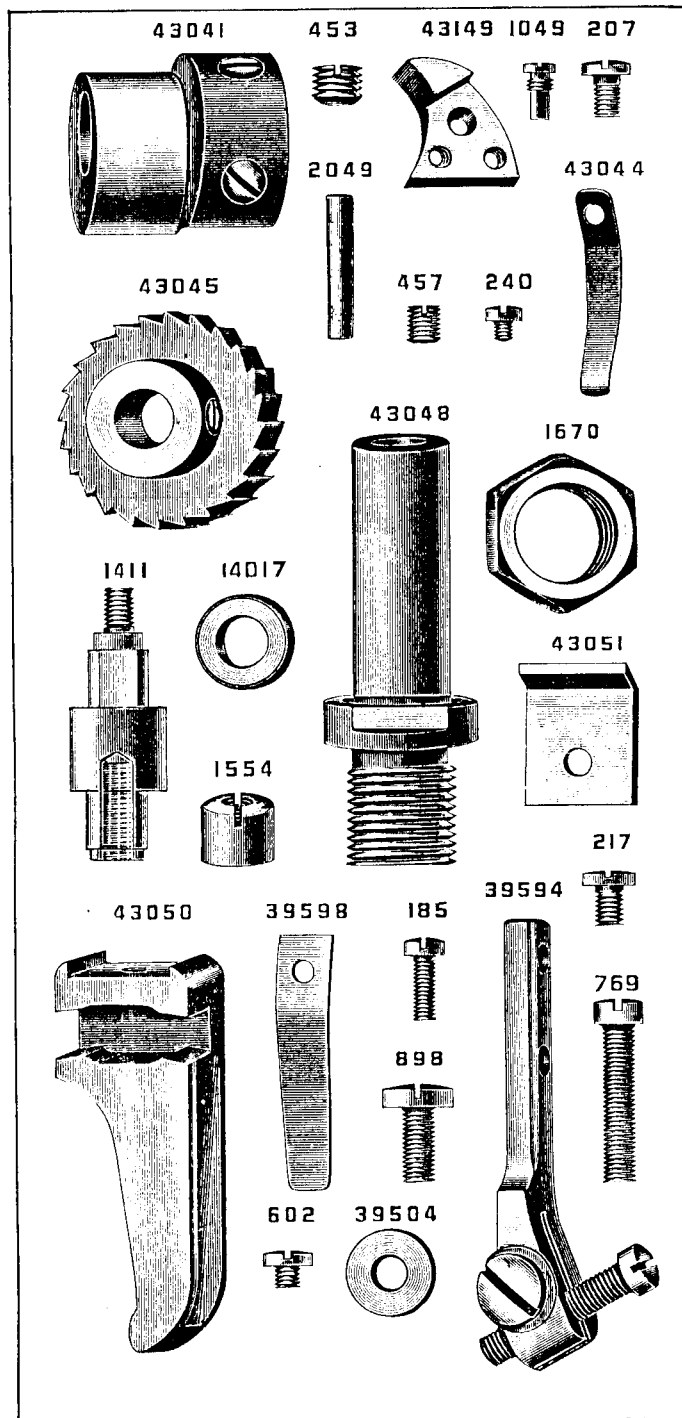


PLATE 5958—ONE-HALF SIZE

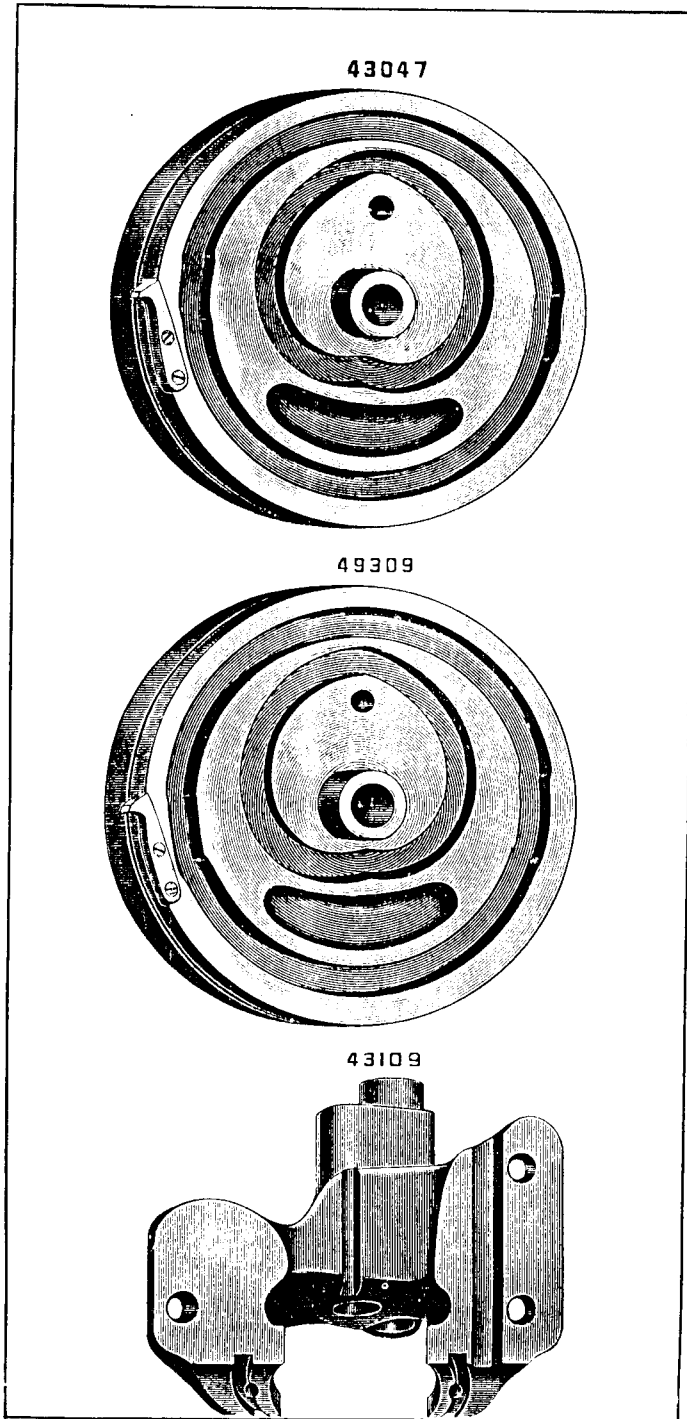
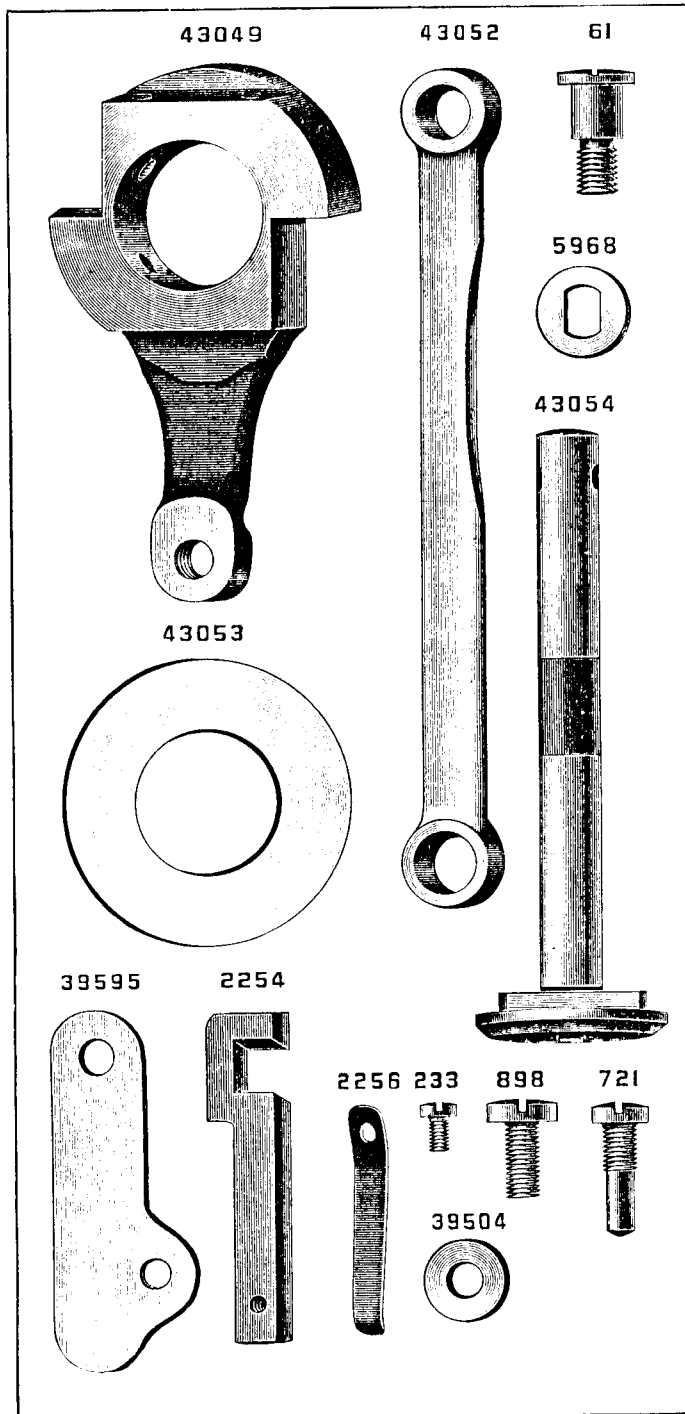


PLATE 5959—FULL SIZE



From the library of: Diamond Needle Corp

PLATE 5960—FULL SIZE

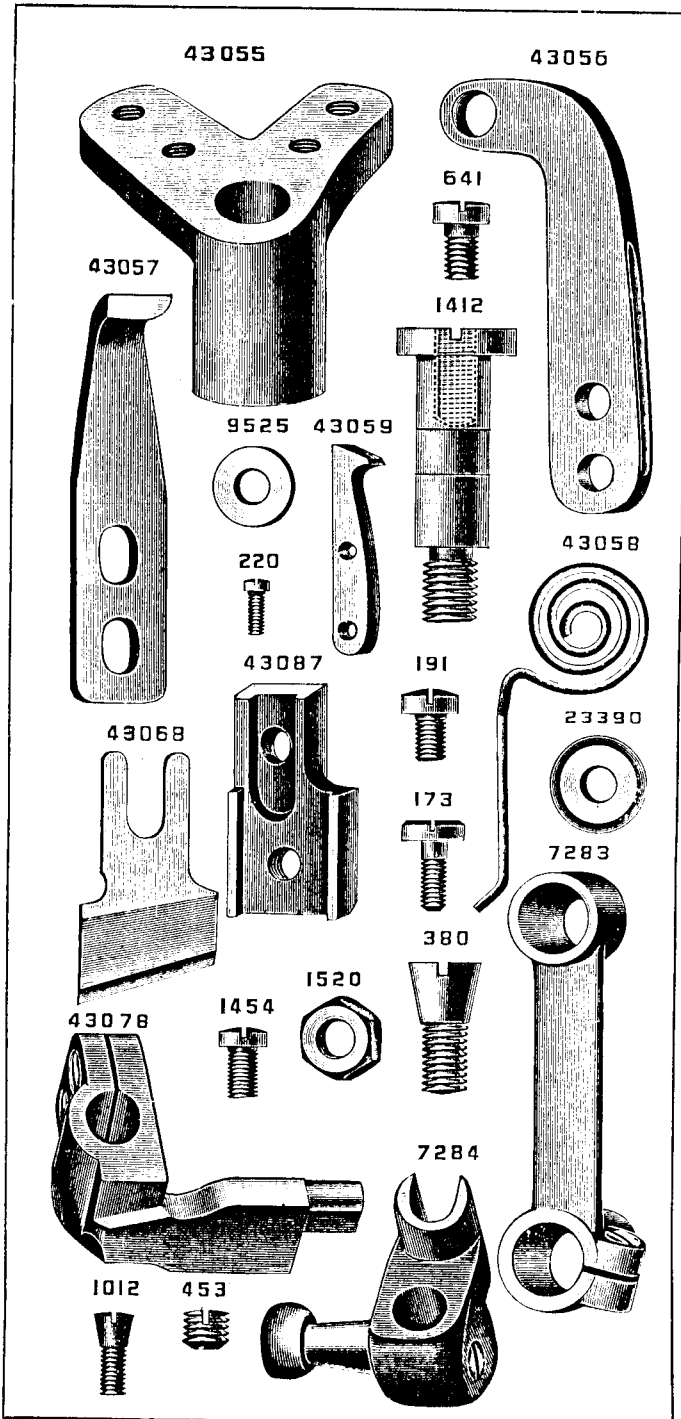


PLATE 5961—FULL SIZE

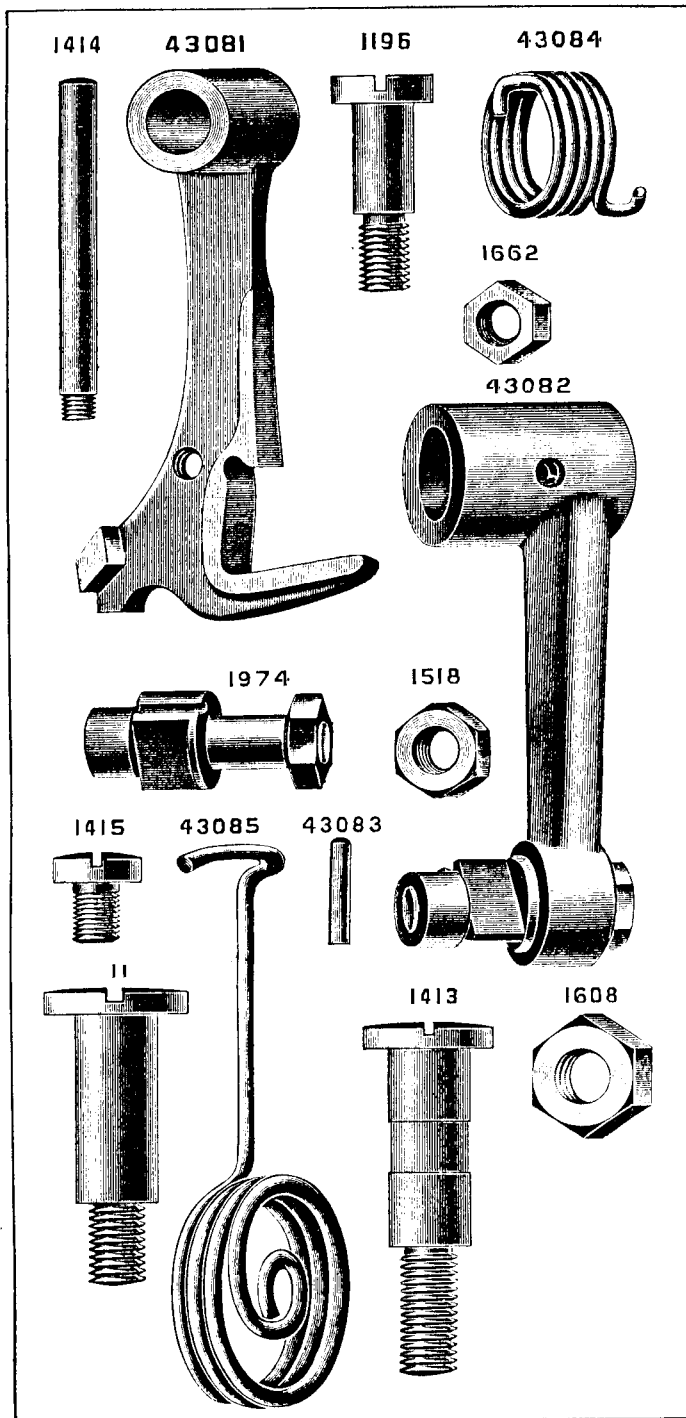


PLATE 5962—FULL SIZE

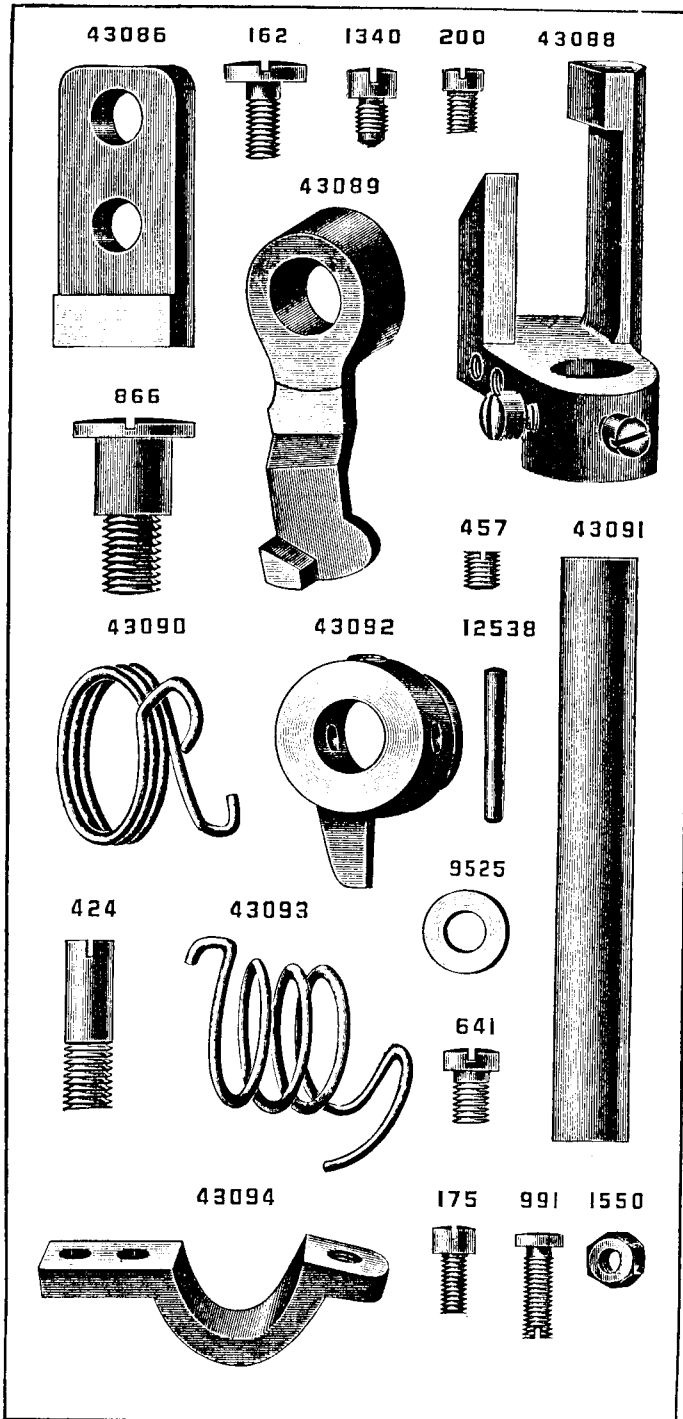
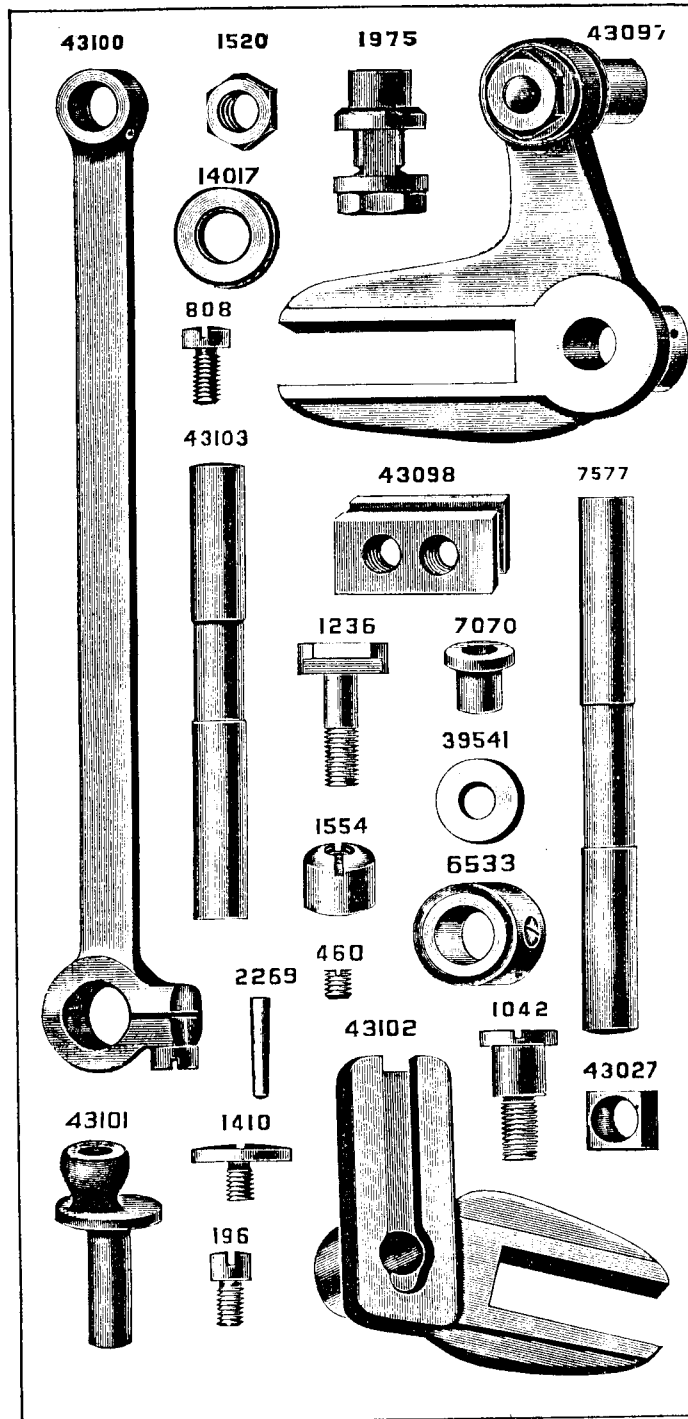


PLATE 5963—FULL SIZE



From the library of: Diamond Needle Corp

PLATE 5964—FULL SIZE

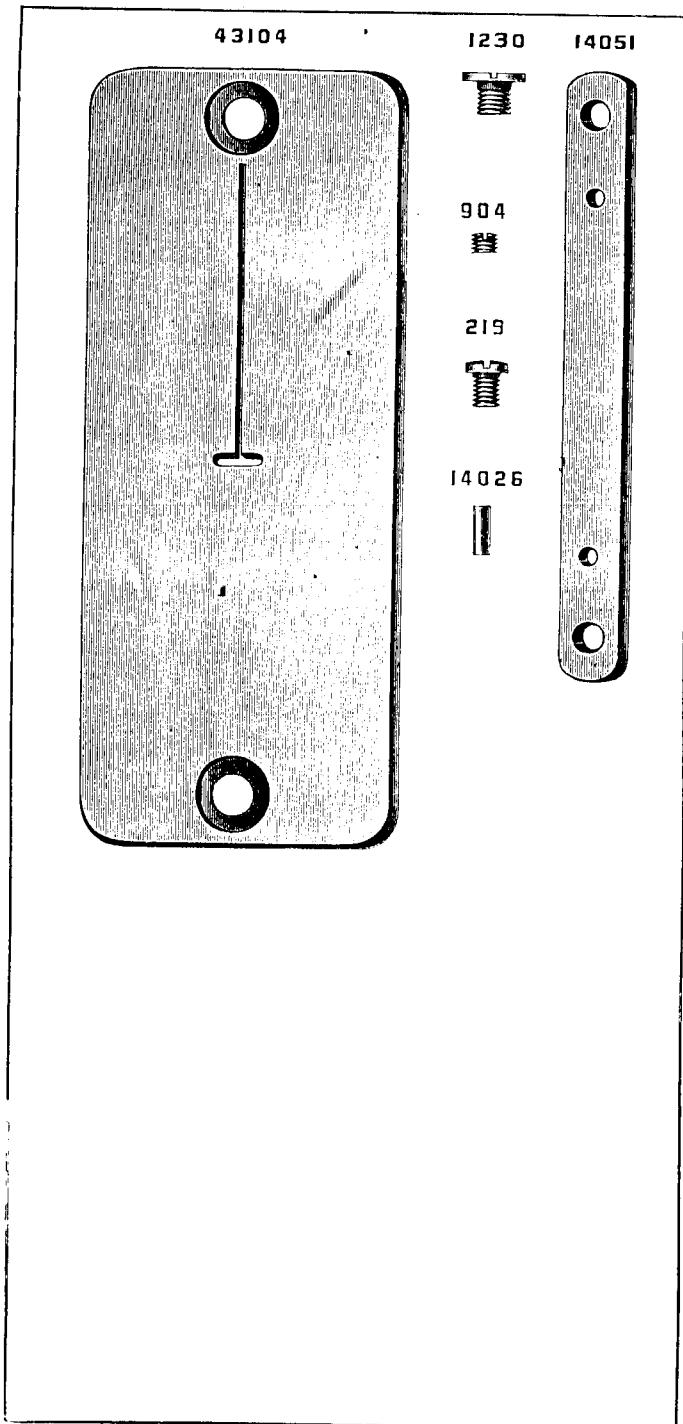
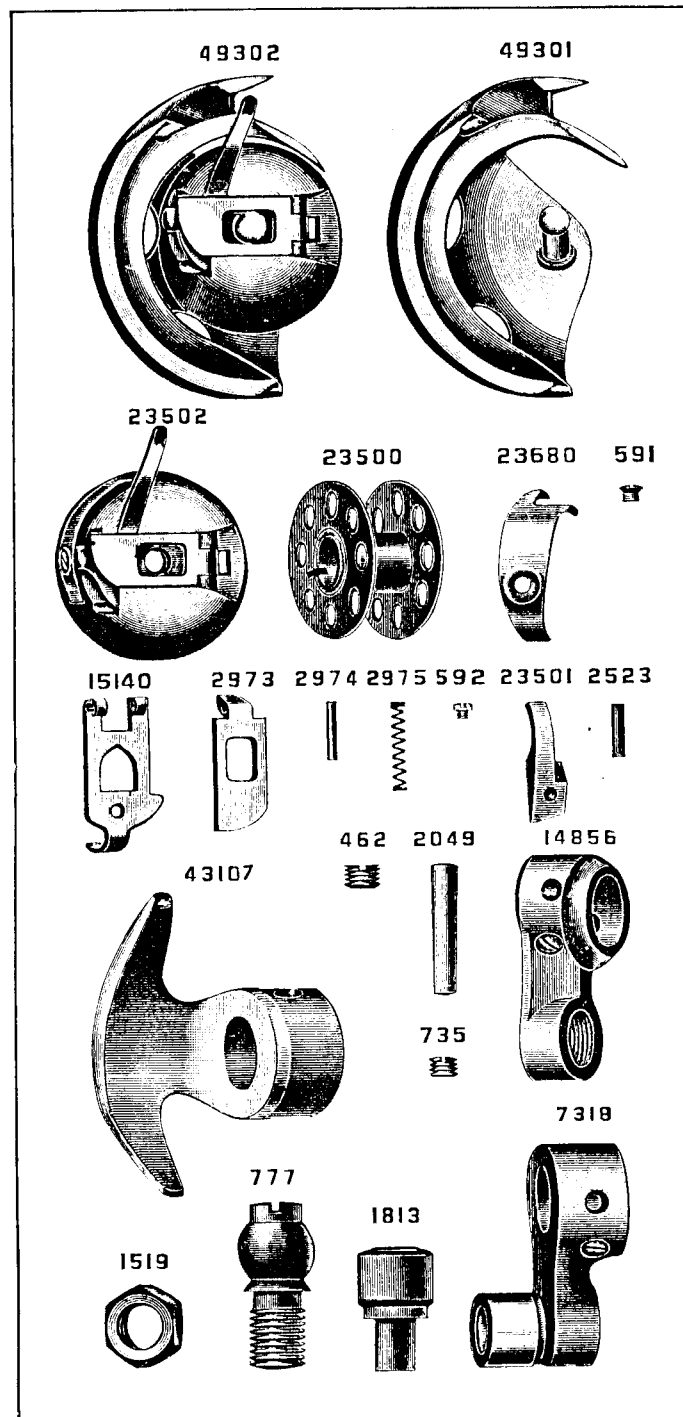


PLATE 5965—FULL SIZE



From the library of: Diamond Needle Corp

PLATE 5966—ONE-HALF SIZE

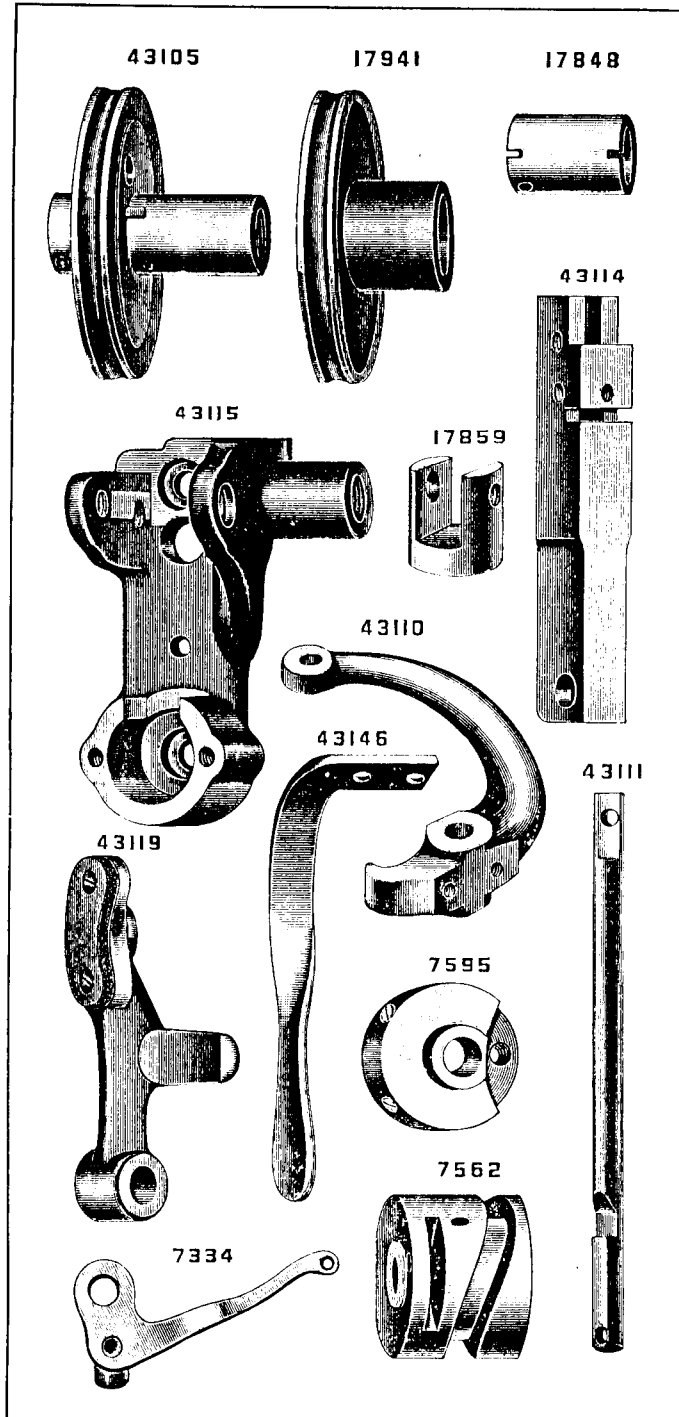
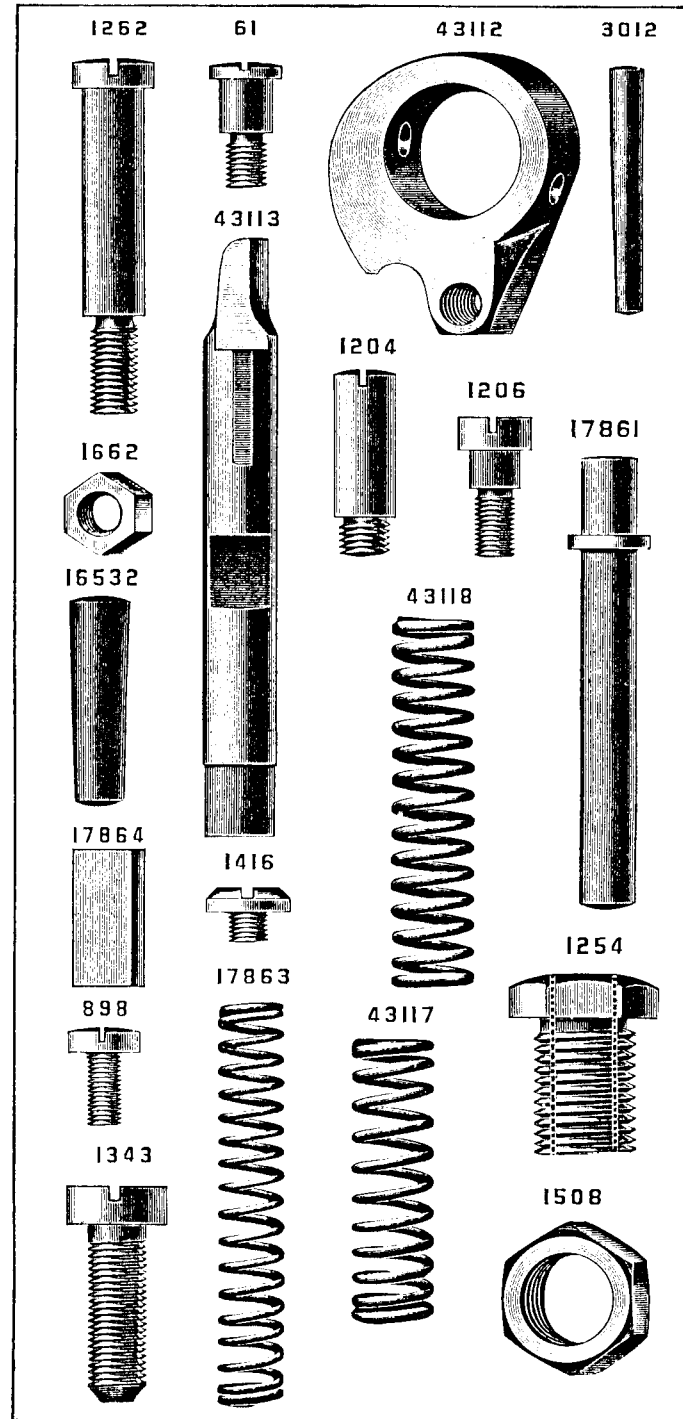


PLATE 5967—FULL SIZE



From the library of: Diamond Needle Corp

PLATE 5968—FULL SIZE

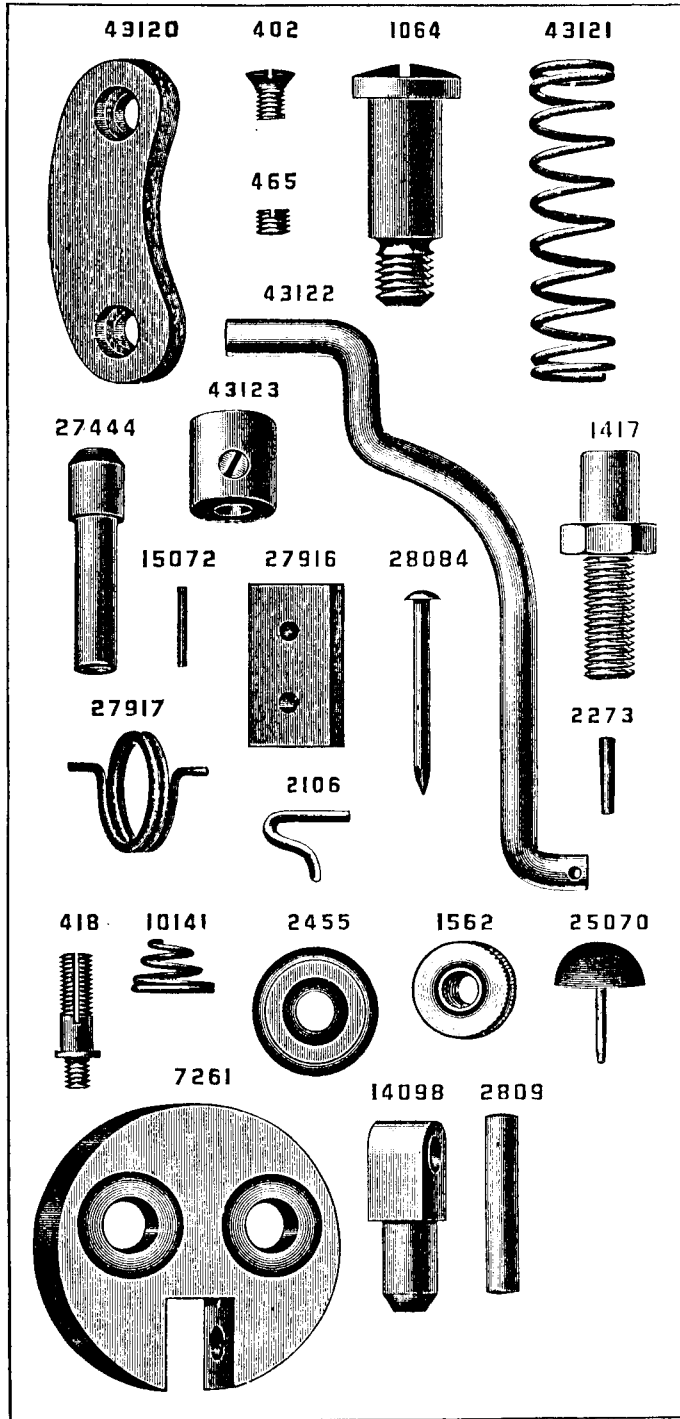
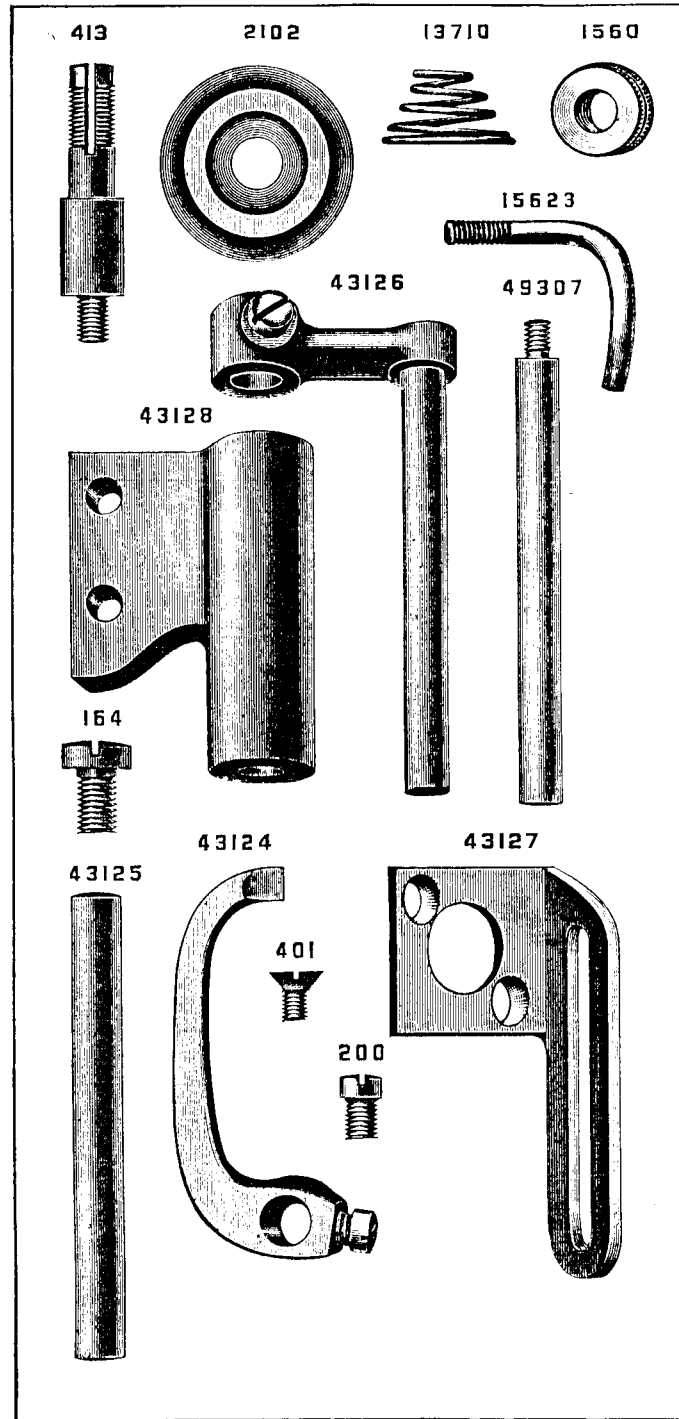


PLATE 5969—FULL SIZE



From the library of: Diamond Needle Corp

PLATE 5970—FULL SIZE

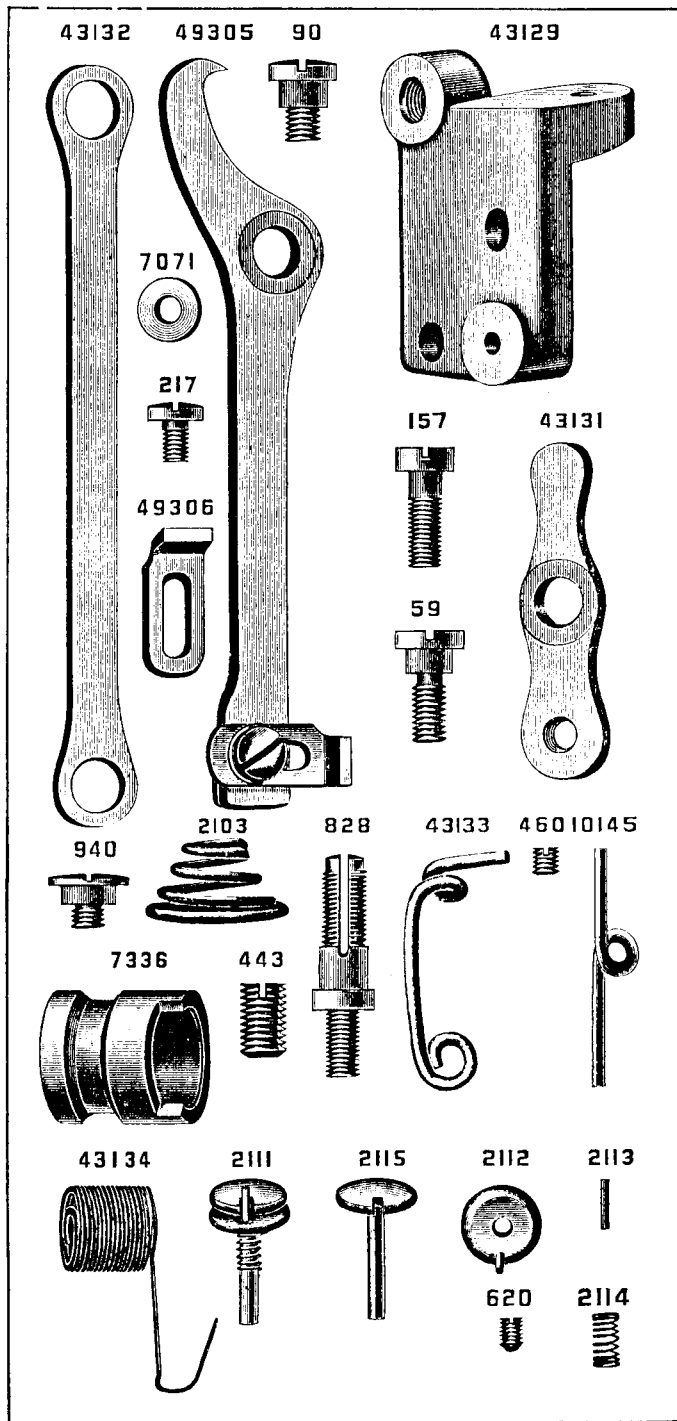
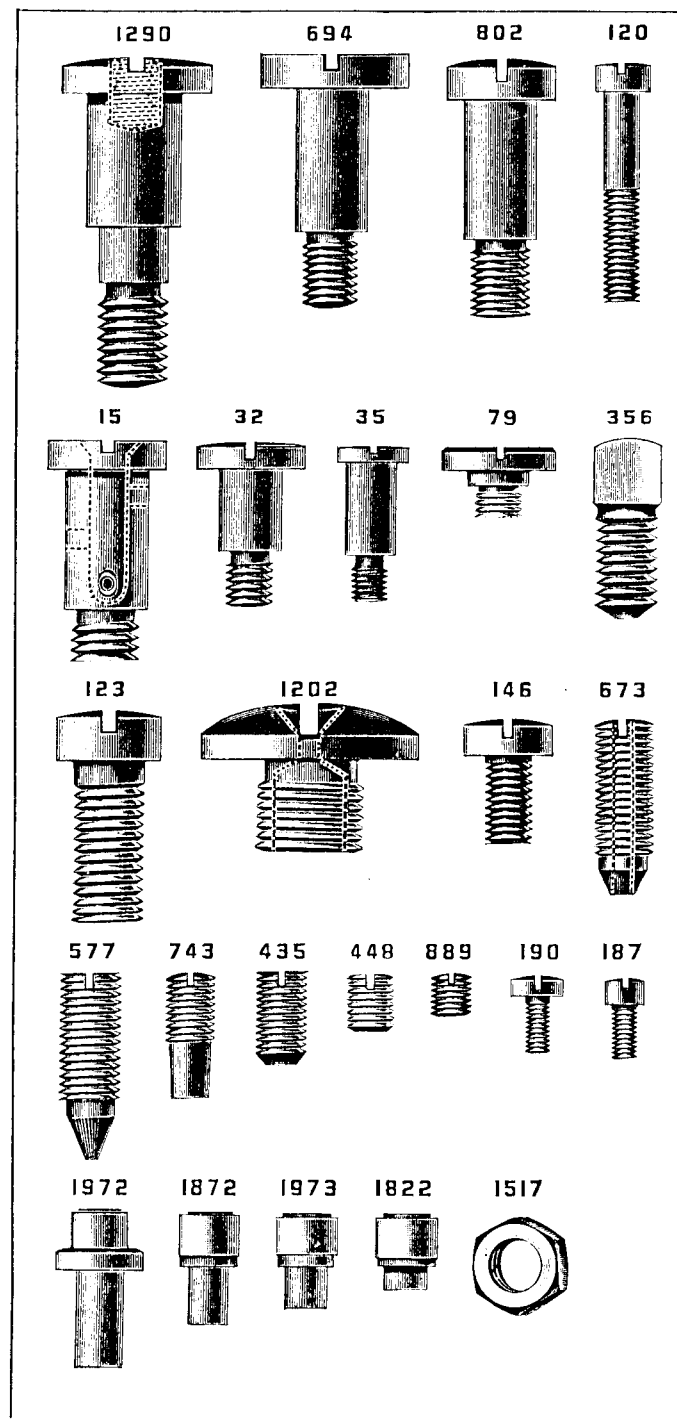


PLATE 5971—FULL SIZE



From the library of: Diamond Needle Corp

PLATE 5972—ONE-HALF SIZE

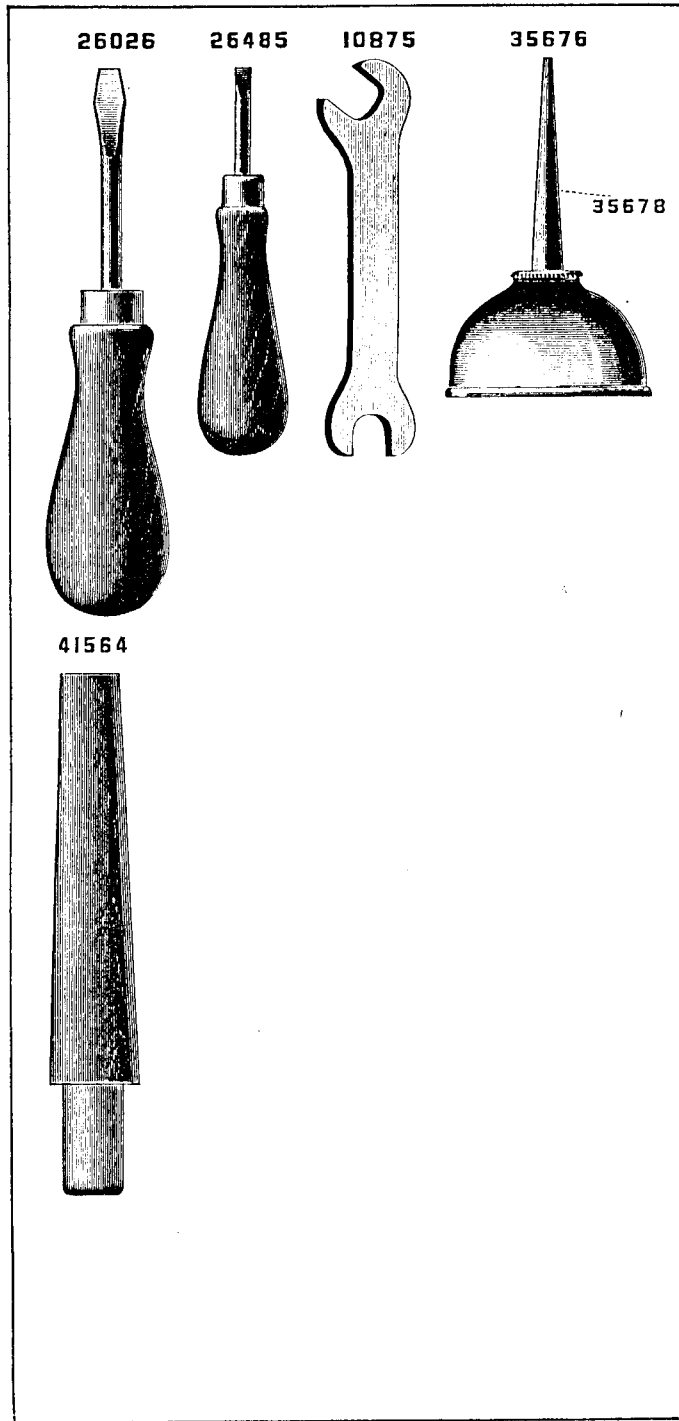
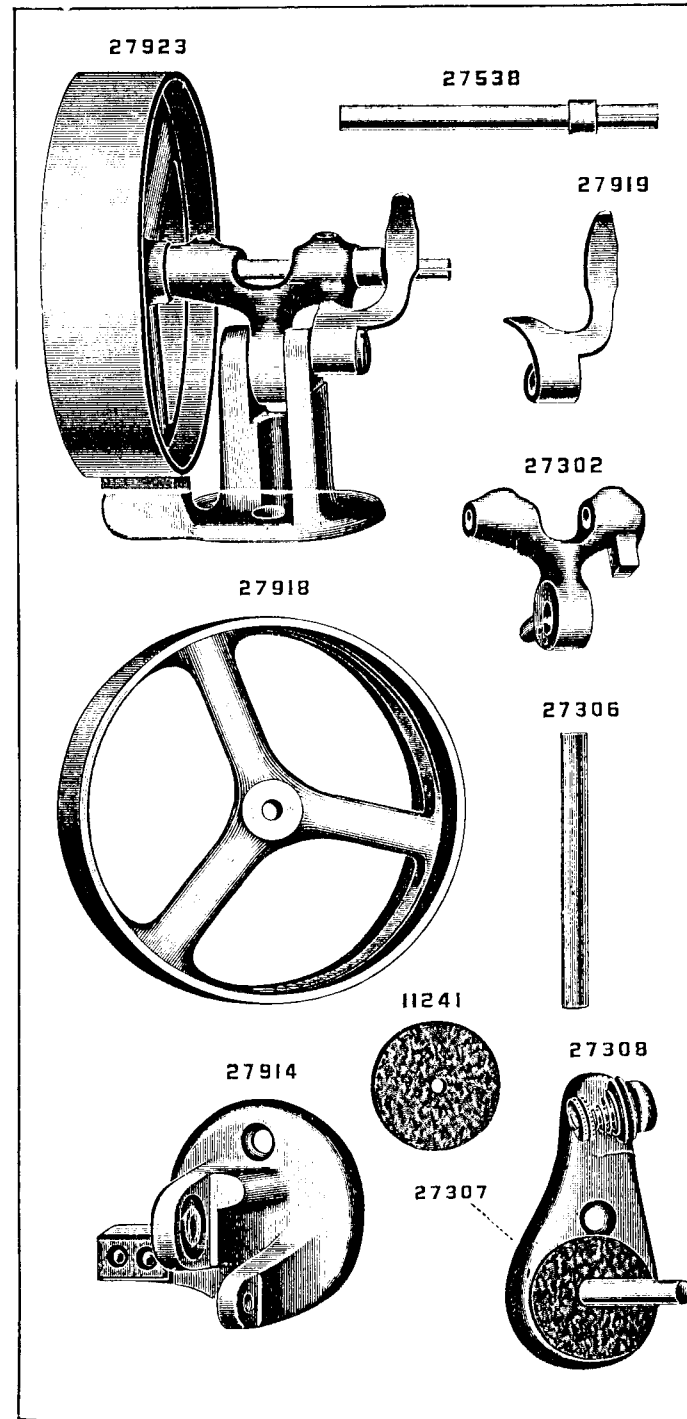


PLATE 5973—ONE-HALF SIZE



From the library of: Diamond Needle Corp

PLATE 5974—ONE-FOURTH SIZE

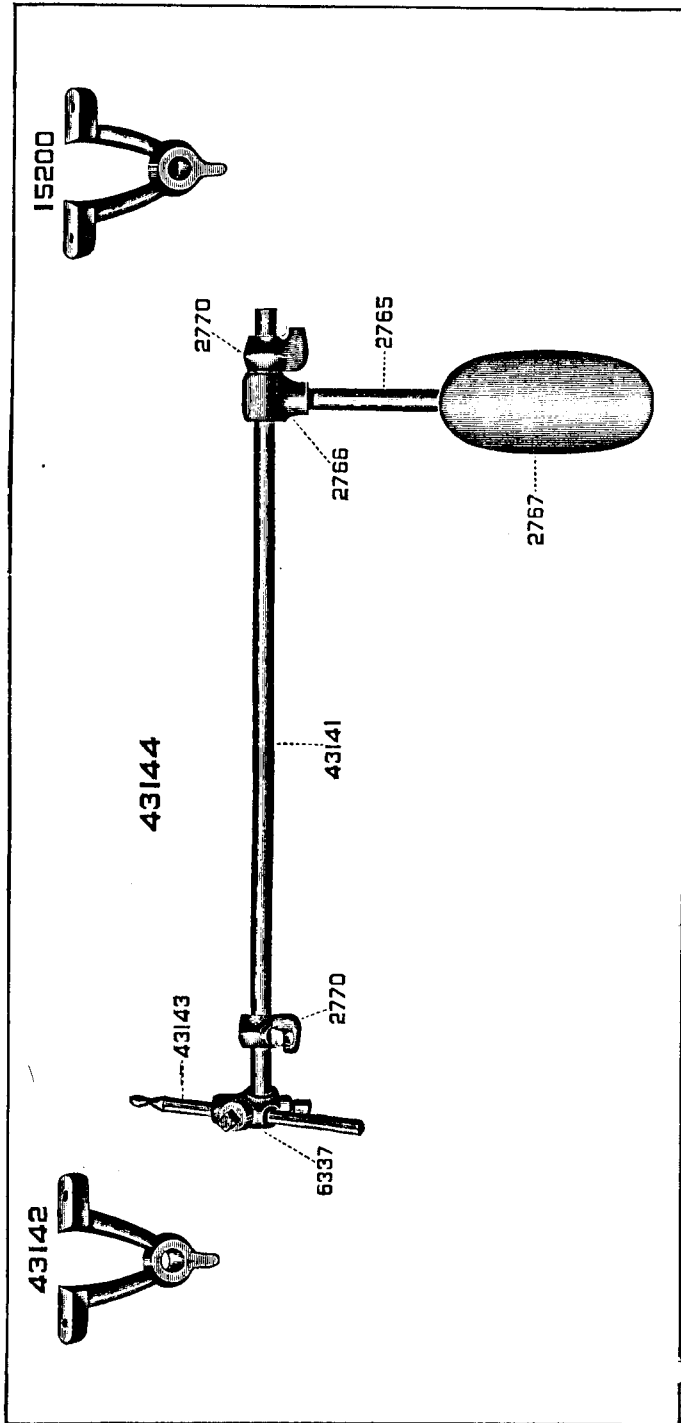
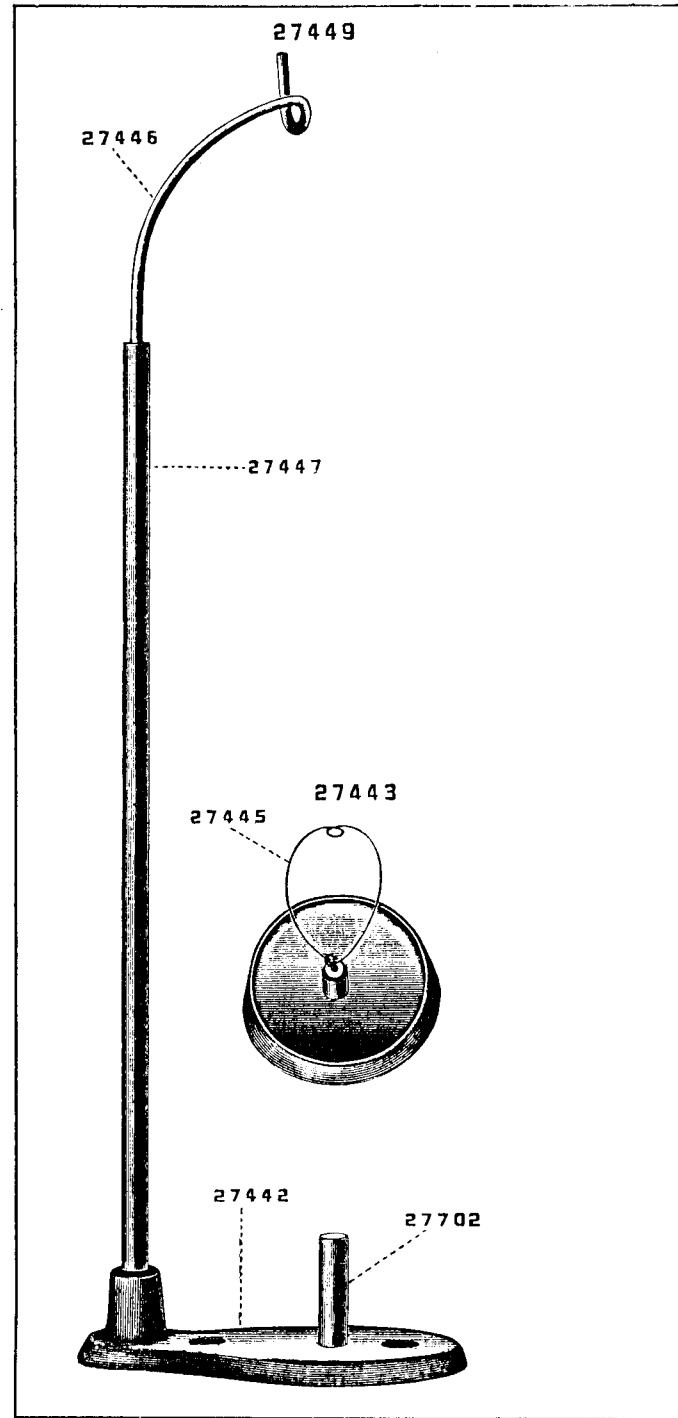


PLATE 5975—ONE-HALF SIZE



From the library of: Diamond Needle Corp

PLATE 5976—ONE-NINTH SIZE

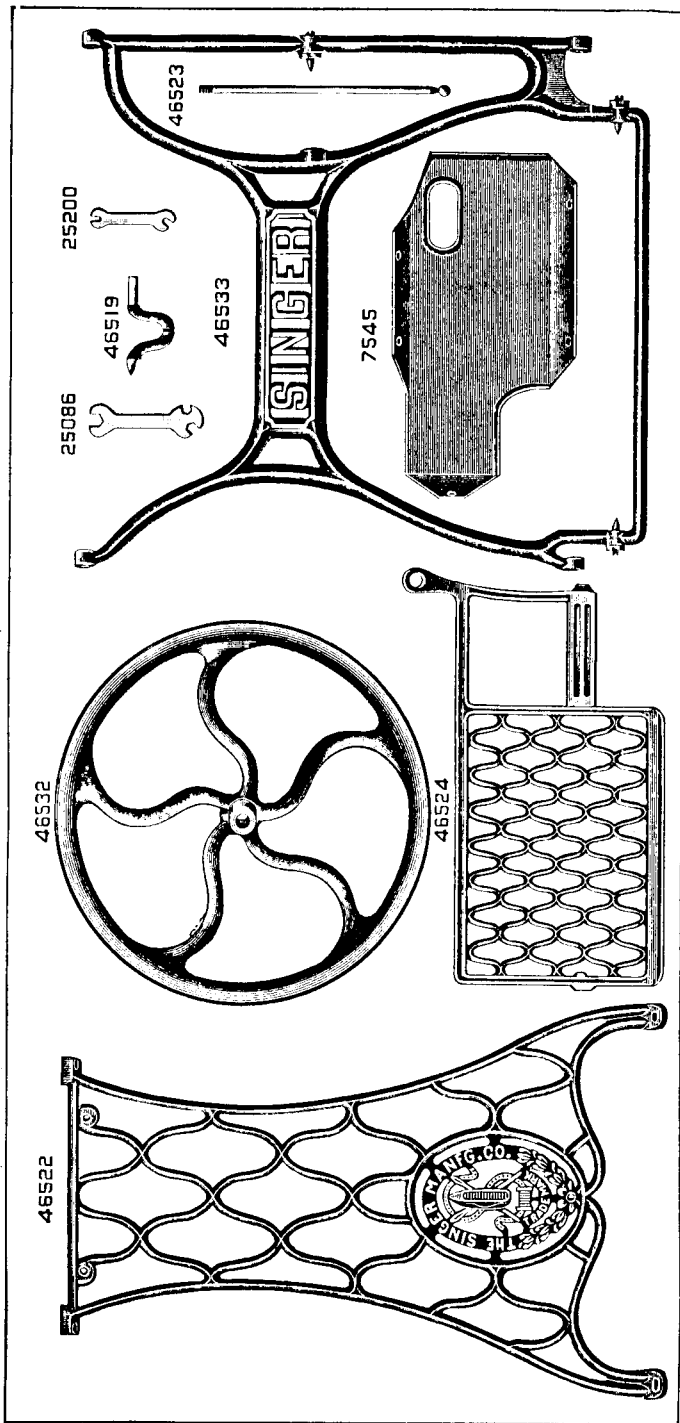


PLATE 5977—ONE-FOURTH SIZE

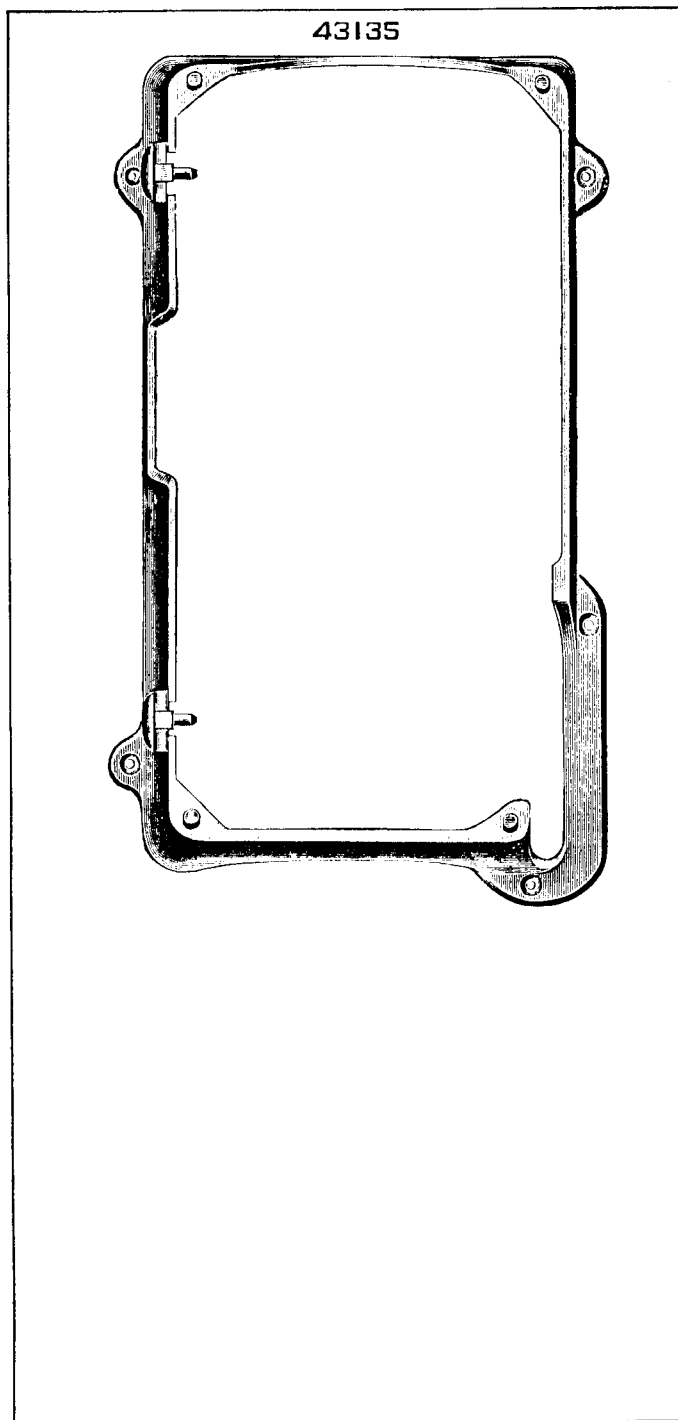


PLATE 5978—ONE-FOURTH SIZE

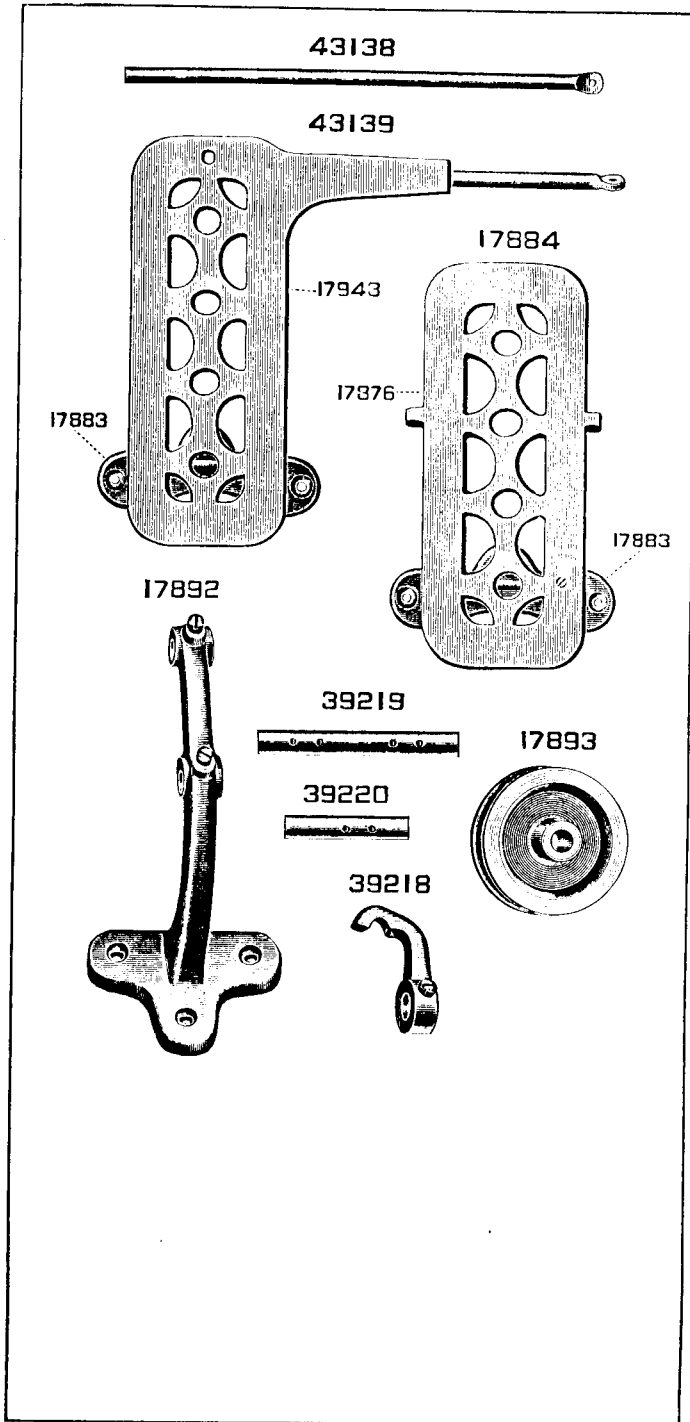


PLATE 5979—FULL SIZE

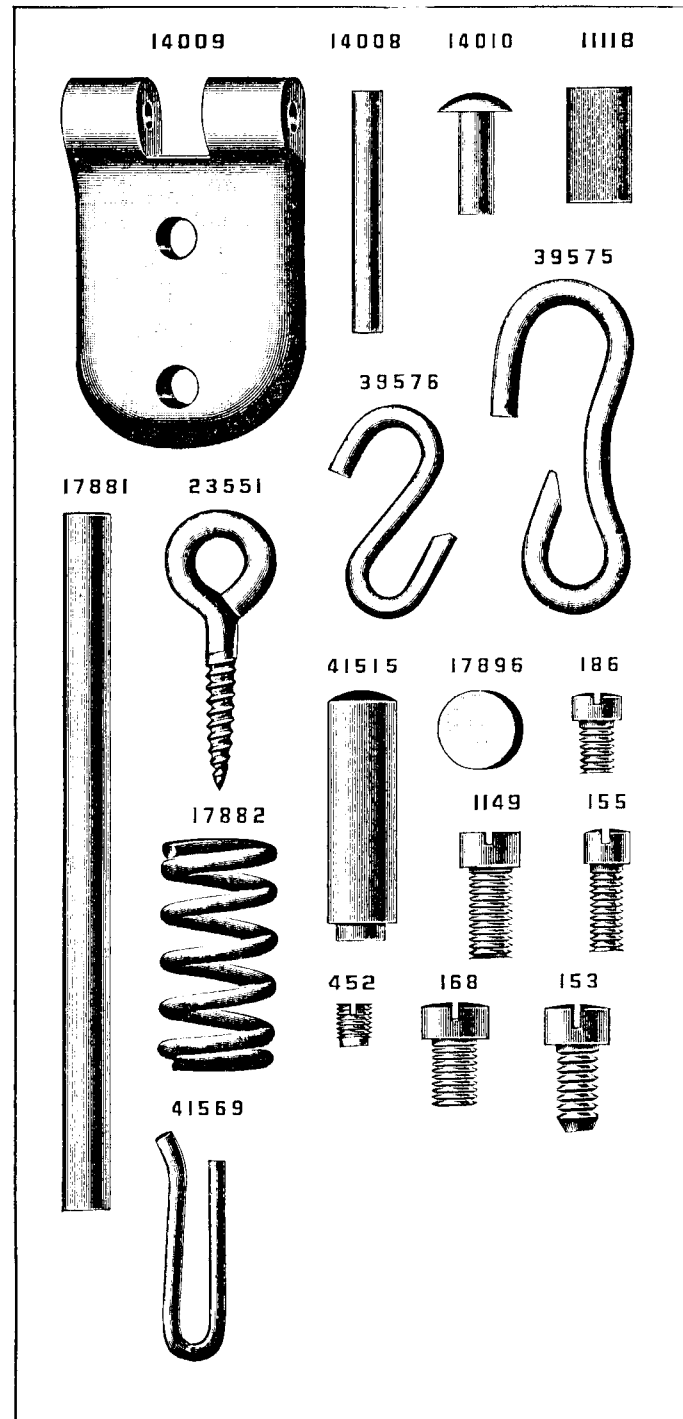


PLATE 5980—ONE-HALF SIZE

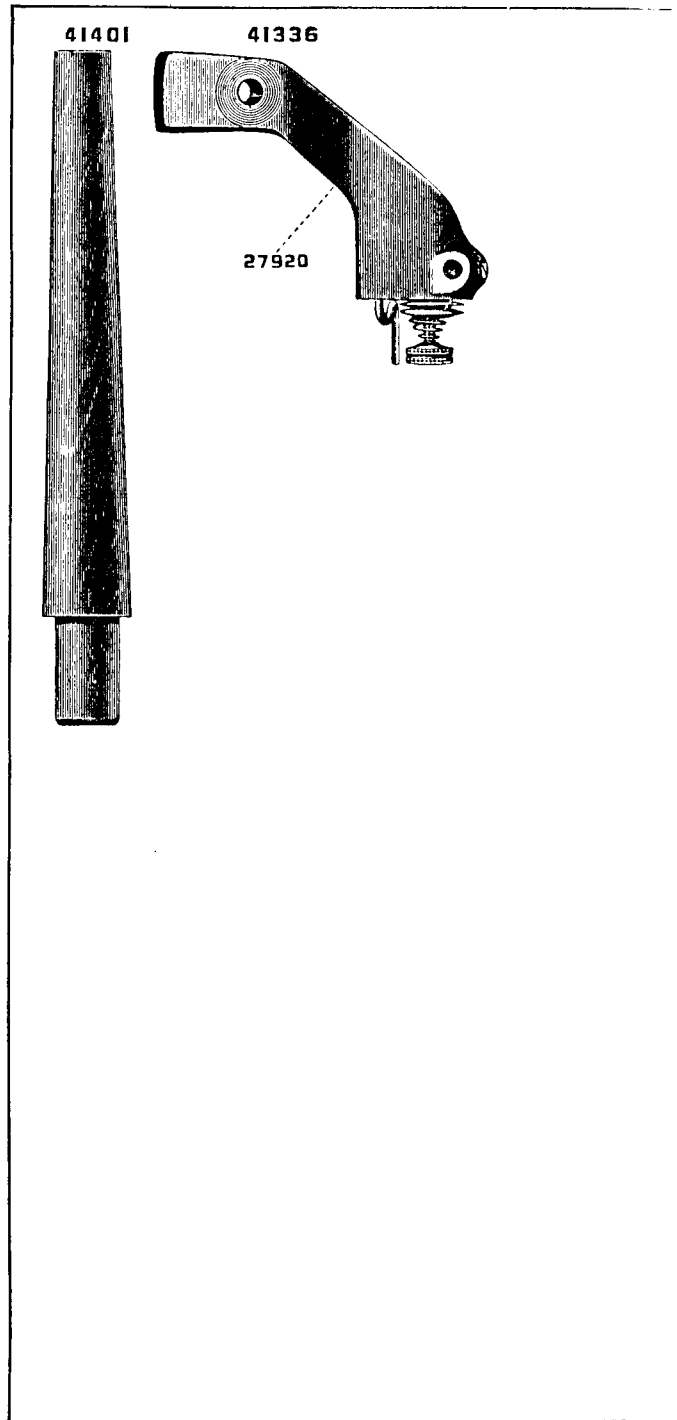


PLATE 5981—ONE-HALF SIZE

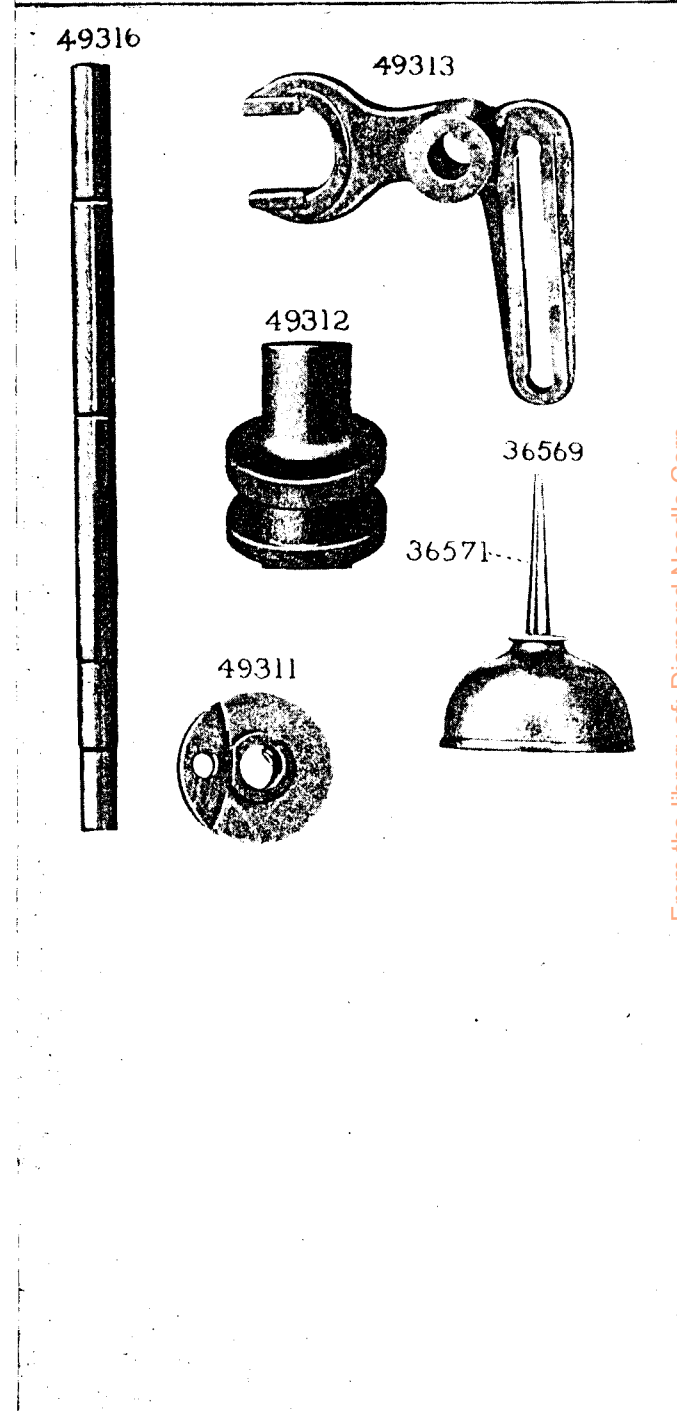
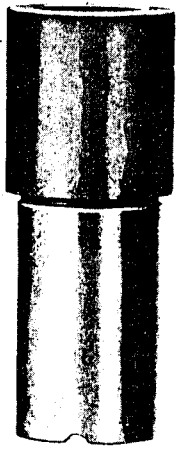
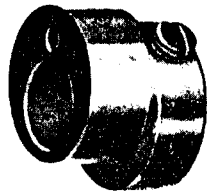


PLATE 5982—FULL SIZE

49314



49315



49317



49318



49320

